

**telergon**  
gorlan

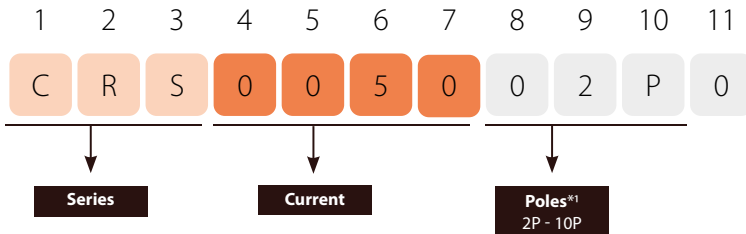


## **Firefighter Safety Switch**

Rapid shutdown switch for solar installations

The perfect solution to protect residential, industrial or commercial photovoltaic systems

► CODE



**CRS/1**  
Strings: 1 or 2

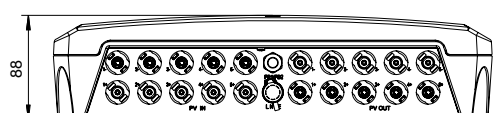
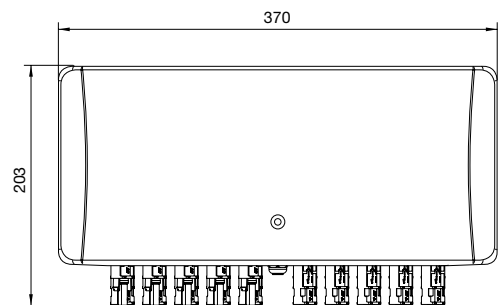
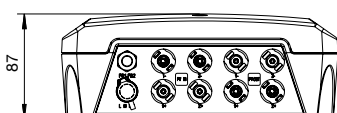
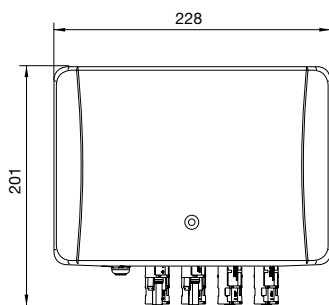


**CRS/2**  
Strings: 3, 4 or 5



- Suitable up to 5 strings / circuits
- Maximum current 38A
- Maximum circuit voltage 1500vdc
- Protection degree IP66
- \*1 **Poles:** 2P (02P), 4P (04P), 6P (06P), 8P (08P), 10P (10P)
- Isolation switch is TUV, CE, CB, SAA certified
- Waterproof vent valve to avoid condensation inside the enclosure
- Built in temperature sensor that allows automatic shut down of the system when exceeds 70°C inside the enclosure

► DIMENSIONS



## TECHNICAL DATA

According to EN60947-3, AS/NZS 60947-3

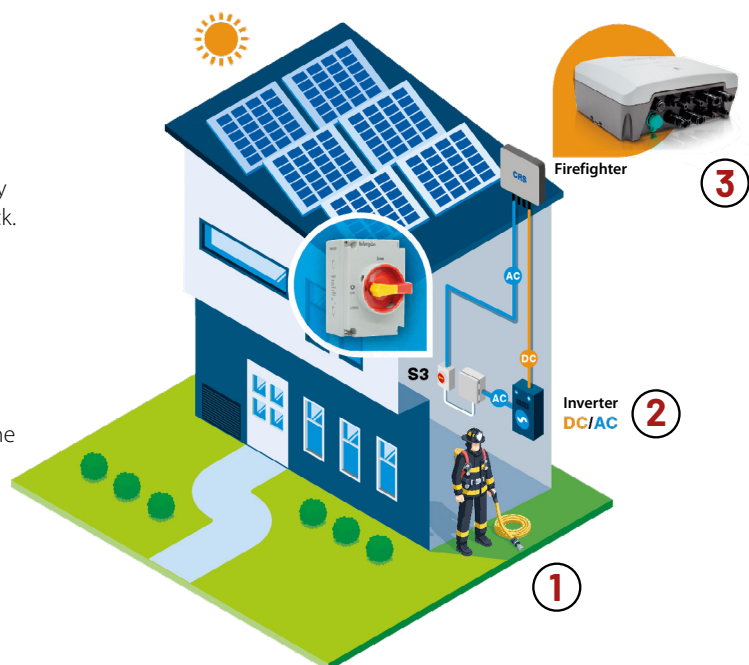
Standard		
String voltage	Vdc	up to 1500
String current	A	up to 38A
Working voltage	Vac	100 - 270
Rated voltage	Vac	230
Rated current	mA	30
Starting (loading) current	mA (AVG)	100
Action current (max)	mA	300
Operating temperature	°C	-20°C ... +50°C
Maximum temperature before automatic shutdown	°C	>70°C
Storage temperature	°C	-40°C ... +85°C
Protection rating		IP66
Oversvoltage protection category		II
Mechanical life without load	cycles	10000
Number on-load operations (PV1)	cycles	1500

According to IEC60947-3 (ed.3.2):2015.  
Utilization category DC-PV1

800V	1000V	1500V	Poles	Strings	Code
38A	38A	32A	2	1	CRS005002P0
38A	38A	32A	4	2	CRS005004P0
38A	38A	32A	6	3	CRS005006P0
38A	38A	32A	8	4	CRS005008P0
38A	38A	32A	10	5	CRS005010P0

- 1** The fireman switches off the AC current manually to extinguish the fire without risk of electric shock.
- 2** The inverter will interrupt AC current, when it detects electric circuit loss.
- 3** When the AC power is lost, the Firefighter Safety switch automatically isolates the DC current of the solar source.

Automatic disconnection due to temperature >70° C.



Residential

Industrial

Commercial



**telergon**  
gorlan  
The switch specialist

**Telergon, SAU**  
Ctra. Castellón – Pol. La Cartuja  
50720 La Cartuja Baja  
Zaragoza, Spain



Tel. +34 976 500 876  
info@telergon.com  
www.telergon.com