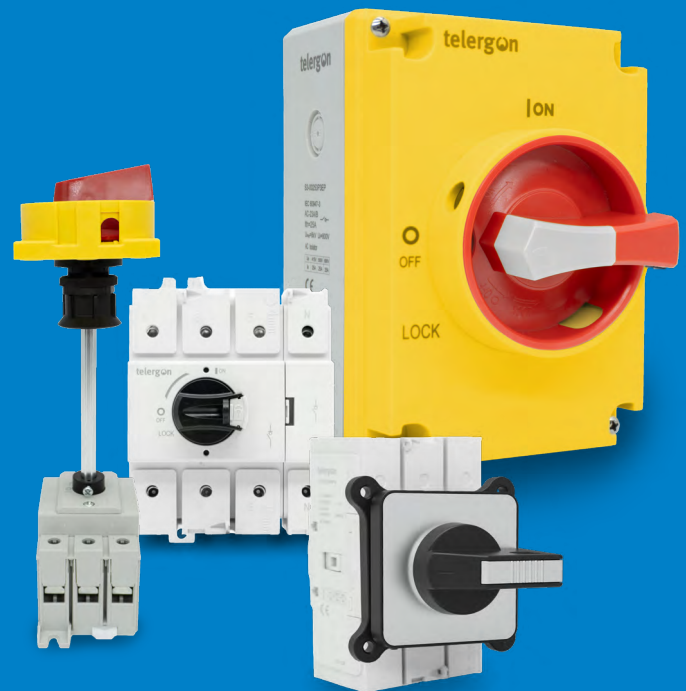


**telergon**  
gorlan



## S3 Series AC Compact Switch-Disconnectors



[www.telergon.com](http://www.telergon.com)



**gorlan**

The Telergon S3 Series is a compact and modular range of non fusible disconnects designed for safe isolation in industrial and commercial low-voltage installations. Engineered for reliability and flexibility, the S3 series meets the most demanding international standards, ensuring optimal performance in modern electrical distribution systems.

**Current Ranges & Standards**

- Rated current: from 16A up to 125A
- Rated operational voltage: up to 600V AC
- Enclosed versions (polyester and aluminium)
- Short-circuit withstand: up to 20kA

**Key Features**

- Positive opening mechanism for enhanced operator safety
- Direct or external handle operation, with Type 4/4X, IP65 protection
- Compact footprint for space-constrained panels
- DIN-rail or door mounting for easy installation
- Wide range of accessories: auxiliary contacts, neutral pole, terminal shrouds
- Modular design: up to 4 poles for versatile configurations
- Neutral pole is early-make and late-break.
- Padlockable handles with up to 3 padlocks.

**Applications**

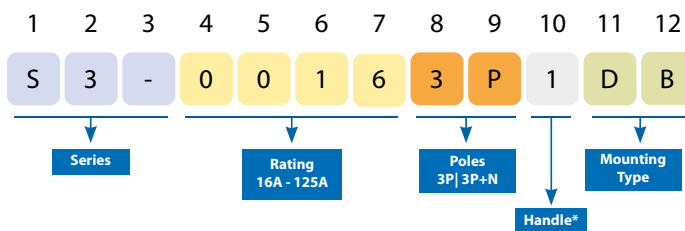
- Industrial switchboards and control panels (UL508A)
- Suitable for motor disconnects
- Electrical distribution in commercial and tertiary buildings
- OEM solutions for HVAC, machinery, and automation
- Renewable energy systems and auxiliary services in power electronics

**Certified for global markets**

- UL60947-1 & UL60947-4-1 LISTED (formerly UL508)
- UL Guide NLRV, File E123623
- CSA 22.2 No 60947-4-1
- IEC 60947-3



▶ **CODE**



▶ **MOUNTINGS**

**DIN-Rail Mounting**

D B



**Panel Mounting**

P M



**Door Interlock**

D C



Screw anchoring

**Plastic enclosure**

E P



**Aluminium enclosure**

E A



## TECHNICAL DATA | IEC 60947-3



			Size								
			000			00			0		
<b>Electrical data</b>											
Thermal current (-25...+55°C)	I <sub>th</sub>	A	16	20	25	32	40	63	80	100	125
Rated insulation voltage	U <sub>i</sub>	Vac	800								
Rated impulse withstand voltage	U <sub>imp</sub>	kV	8								
AC rated operational current	Ue 415V* AC23A	A	16	20	25	32	40	63	80	100	125
AC rated operational power	Ue 415V AC23A	kW	7.5	9	11	15	18.5	30	37	45	55
<b>Short circuit behavior (fuse protected)</b>											
Type fuse	415V	A	16	20	25	32	40	63	80	100	125
Rated conditional short-circuit current	415V	kA	10			15			20		
<b>Short circuit behavior performance (unprotected)</b>											
Rated short-time withstand current 1S	I <sub>cw</sub>	kA (rms)	0,5			0,85			2,75		
Rated short circuit making capacity	I <sub>cm</sub>	kA (peak)	0,85			1,5			3,9		
<b>Connection capacity</b>											
Cable cross section	mm <sup>2</sup>		1,5~10			2,5~35			10~70		
Tightening torque	Nm		1,2~1,4			2,5~2,8			3,5~4		
<b>Mechanical data</b>											
Number of operating cycles	Cycles		100.000								

\* Ratings for 690Vac or other voltages, please consult.

## TECHNICAL DATA | UL 60947-1 & UL 60947-4-1





			Size								
			000			00			0		
<b>ELECTRICAL DATA</b>											
Amperage rating	I <sub>th</sub>	A	16	20	25	32	40	63	80	100	125
Rated voltage	U <sub>e</sub>	Vac	600								
DOL-Rating 3-phase (Direct on line)	110-120V	HP/FLA	2 (13.6)	2 (13.6)	2 (13.6)	2 (13.6)	2 (13.6)	5 (30.4)	5 (30.4)	15 (84.0)	15 (84.0)
	220-240V		5 (15.2)	5 (15.2)	5 (15.2)	5 (15.2)	5 (15.2)	10 (28.0)	10 (28.0)	30 (80.0)	30 (80.0)
	440-480V		10 (11.0)	10 (11.0)	10 (11.0)	10 (11.0)	10 (11.0)	20 (27.0)	20 (27.0)	60 (77.0)	60 (77.0)
	550-600V		15 (17.0)	15 (17.0)	15 (17.0)	15 (17.0)	15 (17.0)	25 (27.0)	25 (27.0)	60 (77.0)	60 (77.0)
DOL-Rating 1-phase (Direct on line)	110-120V	HP/FLA	1 (16.0)	1 (16.0)	1 (16.0)	1 (16.0)	1 (16.0)	2 (24.0)	2 (24.0)	7,5 (80.0)	7,5 (80.0)
	200-208V		2 (13.2)	2 (13.2)	2 (13.2)	2 (13.2)	2 (13.2)	3 (18.7)	3 (18.7)	10 (55.0)	10 (55.0)
	220-240V		3 (17.0)	3 (17.0)	3 (17.0)	3 (17.0)	3 (17.0)	5 (28.0)	5 (28.0)	15 (68.0)	15 (68.0)
Max. pole power dissipation		W	0.3	0.45	0.6	1.1	1.6	2.8	4	4.5	6.3
<b>SHORT CIRCUIT CURRENT RATINGS</b>											
Standard Fault	600V	kA	5			5			10		
Maximum fuse size (RK5)		A	35			50			125		
<b>CONNECTION CAPACITY</b>											
Cable cross section	AWG		#6 - #16			#2 - #14			#00 - #8		
Tightening torque	lb-in		4.42-13.27			22.14-44.25			48.67-75.23		
<b>MECHANICAL DATA</b>											
Number of operating cycles	Cycles		100,000								

# AC Compact Switch-Disconnecter





## ▶ DIN-RAIL MOUNTING (DB)



					
		3P	3P+N	3P	3P+N
Size	Amp	Code	Code	Code	Code
000	16	S3-00163P1DB	S3-00163N1DB	S3-00163P5DB	S3-00163N5DB
	20	S3-00203P1DB	S3-00203N1DB	S3-00203P5DB	S3-00203N5DB
	25	S3-00253P1DB	S3-00253N1DB	S3-00253P5DB	S3-00253N5DB
	32	S3-00323P1DB	S3-00323N1DB	S3-00323P5DB	S3-00323N5DB
00	40	S3-00403P1DB	S3-00403N1DB	S3-00403P5DB	S3-00403N5DB
	63	S3-00633P1DB	S3-00633N1DB	S3-00633P5DB	S3-00633N5DB
	80	S3-00803P1DB	S3-00803N1DB	S3-00803P5DB	S3-00803N5DB
	100	S3-100B3P1DB	S3-100B3N1DB	S3-100B3P5DB	S3-100B3N5DB
0	100	S3-01003P1DB	S3-01003N1DB	S3-01003P5DB	S3-01003N5DB
	125	S3-01253P1DB	S3-01253N1DB	S3-01253P5DB	S3-01253N5DB

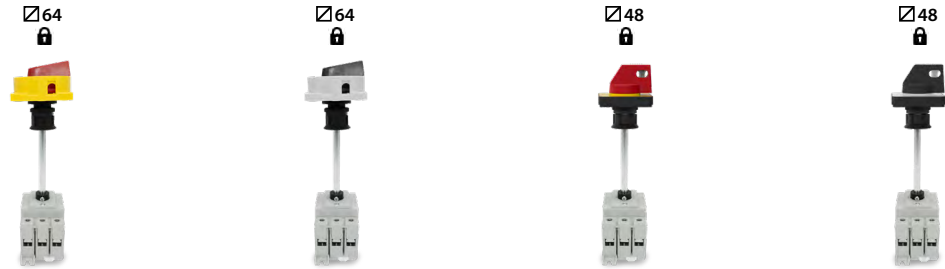
## ▶ PANEL MOUNTING (PM)



									
		3P	3P+N	3P	3P+N	3P	3P+N	3P	3P+N
Size	Amp	Code	Code	Code	Code	Code	Code	Code	Code
000	16	S3-00163P4PM	S3-00163N4PM	S3-00163P3PM	S3-00163N3PM	S3-00163P7PM	S3-00163N7PM	S3-00163P6PM	S3-00163N6PM
	20	S3-00203P4PM	S3-00203N4PM	S3-00203P3PM	S3-00203N3PM	S3-00203P7PM	S3-00203N7PM	S3-00203P6PM	S3-00203N6PM
	25	S3-00253P4PM	S3-00253N4PM	S3-00253P3PM	S3-00253N3PM	S3-00253P7PM	S3-00253N7PM	S3-00253P6PM	S3-00253N6PM
	32	S3-00323P4PM	S3-00323N4PM	S3-00323P3PM	S3-00323N3PM	S3-00323P7PM	S3-00323N7PM	S3-00323P6PM	S3-00323N6PM
00	40	S3-00403P4PM	S3-00403N4PM	S3-00403P3PM	S3-00403N3PM	S3-00403P7PM	S3-00403N7PM	S3-00403P6PM	S3-00403N6PM
	63	S3-00633P4PM	S3-00633N4PM	S3-00633P3PM	S3-00633N3PM	S3-00633P7PM	S3-00633N7PM	S3-00633P6PM	S3-00633N6PM
	80	S3-00803P4PM	S3-00803N4PM	S3-00803P3PM	S3-00803N3PM	S3-00803P7PM	S3-00803N7PM	S3-00803P6PM	S3-00803N6PM
	100	S3-100B3P4PM	S3-100B3N4PM	S3-100B3P3PM	S3-100B3N3PM	S3-100B3P7PM	S3-100B3N7PM	S3-100B3P6PM	S3-100B3N6PM
0	100	S3-01003P4PM	S3-01003N4PM	S3-01003P3PM	S3-01003N3PM	S3-01003P7PM	S3-01003N7PM	S3-01003P6PM	S3-01003N6PM
	125	S3-01253P4PM	S3-01253N4PM	S3-01253P3PM	S3-01253N3PM	S3-01253P7PM	S3-01253N7PM	S3-01253P6PM	S3-01253N6PM

# AC Compact Switch-Disconnecter

## ▶ DOOR INTERLOCK (DC)



Size	Amp	64A		64A		48A		48A	
		3P	3P+N	3P	3P+N	3P	3P+N	3P	3P+N
Code	Code	Code	Code	Code	Code	Code	Code	Code	Code
000	16	S3-00163P4DC	S3-00163N4DC	S3-00163P3DC	S3-00163N3DC	S3-00163P7DC	S3-00163N7DC	S3-00163P6DC	S3-00163N6DC
	20	S3-00203P4DC	S3-00203N4DC	S3-00203P3DC	S3-00203N3DC	S3-00203P7DC	S3-00203N7DC	S3-00203P6DC	S3-00203N6DC
	25	S3-00253P4DC	S3-00253N4DC	S3-00253P3DC	S3-00253N3DC	S3-00253P7DC	S3-00253N7DC	S3-00253P6DC	S3-00253N6DC
	32	S3-00323P4DC	S3-00323N4DC	S3-00323P3DC	S3-00323N3DC	S3-00323P7DC	S3-00323N7DC	S3-00323P6DC	S3-00323N6DC
	40	S3-00403P4DC	S3-00403N4DC	S3-00403P3DC	S3-00403N3DC	S3-00403P7DC	S3-00403N7DC	S3-00403P6DC	S3-00403N6DC
00	63	S3-00633P4DC	S3-00633N4DC	S3-00633P3DC	S3-00633N3DC	S3-00633P7DC	S3-00633N7DC	S3-00633P6DC	S3-00633N6DC
	80	S3-00803P4DC	S3-00803N4DC	S3-00803P3DC	S3-00803N3DC	S3-00803P7DC	S3-00803N7DC	S3-00803P6DC	S3-00803N6DC
	100	S3-100B3P4DC	S3-100B3N4DC	S3-100B3P3DC	S3-100B3N3DC	S3-100B3P7DC	S3-100B3N7DC	S3-100B3P6DC	S3-100B3N6DC
0	100	S3-01003P4DC	S3-01003N4DC	S3-01003P3DC	S3-01003N3DC	S3-01003P7DC	S3-01003N7DC	S3-01003P6DC	S3-01003N6DC
	125	S3-01253P4DC	S3-01253N4DC	S3-01253P3DC	S3-01253N3DC	S3-01253P7DC	S3-01253N7DC	S3-01253P6DC	S3-01253N6DC

The code includes a 135mm long shaft.

## ▶ MULTIPOLE AND CHANGEOVER SWITCHES





Size	Amp	DIN-Rail mounting Multipole switch*1		DIN-Rail mounting Changeover (I-0-II)		DIN-Rail mounting Changeover with overlapping (I-(I+II)-II)	
		6P	8P	3P	3P+N	3P	3P+N
Code	Code	Code	Code	Code	Code	Code	Code
000	16	S3M00166P0DB	S3M00168P0DB	S3L00163P1DB	S3L00163N1DB	S3S00163P1DB	S3S00163N1DB
	20	S3M00206P0DB	S3M00208P0DB	S3L00203P1DB	S3L00203N1DB	S3S00203P1DB	S3S00203N1DB
	25	S3M00256P0DB	S3M00258P0DB	S3L00253P1DB	S3L00253N1DB	S3S00253P1DB	S3S00253N1DB
	32	S3M00326P0DB	S3M00328P0DB	S3L00323P1DB	S3L00323N1DB	S3S00323P1DB	S3S00323N1DB
	40	S3M00406P0DB	S3M00408P0DB	S3L00403P1DB	S3L00403N1DB	S3S00403P1DB	S3S00403N1DB
00	63	S3M00636P0DB	S3M00638P0DB	S3L00633P1DB	S3L00633N1DB	S3S00633P1DB	S3S00633N1DB
	80	S3M00806P0DB	S3M00808P0DB	S3L00803P1DB	S3L00803N1DB	S3S00803P1DB	S3S00803N1DB

\*1 handle without lock

## Enclosed solutions



### ▶ PLASTIC ENCLOSURE (EP)

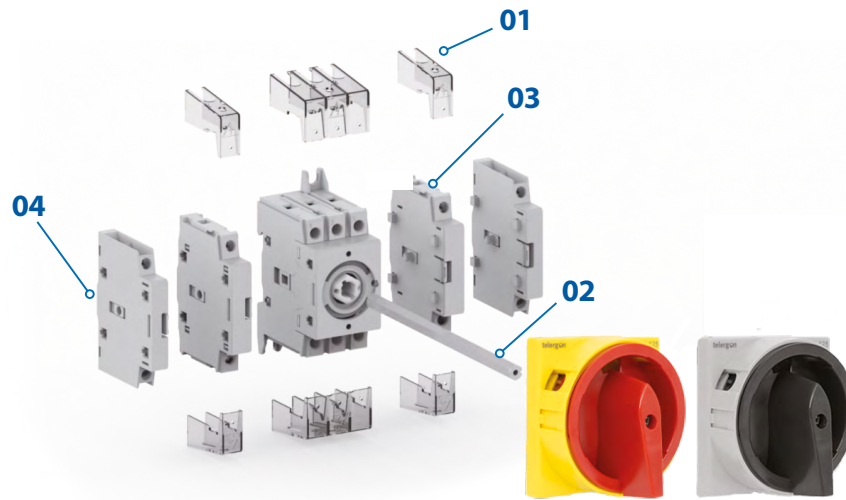


									
		3P	3P+N	6P	8P	3P	3P+N	6P	8P
Size	Amp	Code	Code	Code	Code	Code	Code	Code	Code
000	16	S3-00163P4EP	S3-00163N4EP	S3M00166P4EP	S3M00168P4EP	S3-00163P3EP	S3-00163N3EP	S3M00166P3EP	S3M00168P3EP
	20	S3-00203P4EP	S3-00203N4EP	S3M00206P4EP	S3M00208P4EP	S3-00203P3EP	S3-00203N3EP	S3M00206P3EP	S3M00208P3EP
	25	S3-00253P4EP	S3-00253N4EP	S3M00256P4EP	S3M00258P4EP	S3-00253P3EP	S3-00253N3EP	S3M00256P3EP	S3M00258P3EP
	32	S3-00323P4EP	S3-00323N4EP	S3M00326P4EP	S3M00328P4EP	S3-00323P3EP	S3-00323N3EP	S3M00326P3EP	S3M00328P3EP
00	40	S3-00403P4EP	S3-00403N4EP	S3M00406P4EP	S3M00408P4EP	S3-00403P3EP	S3-00403N3EP	S3M00406P3EP	S3M00408P3EP
	63	S3-00633P4EP	S3-00633N4EP	S3M00636P4EP	S3M00638P4EP	S3-00633P3EP	S3-00633N3EP	S3M00636P3EP	S3M00638P3EP
	80	S3-00803P4EP	S3-00803N4EP	S3M00806P4EP	S3M00808P4EP	S3-00803P3EP	S3-00803N3EP	S3M00806P3EP	S3M00808P3EP
0	100	S3-100B3P4EP	S3-100B3N4EP	-	-	S3-100B3P3EP	S3-100B3N3EP	-	-
	100	S3-01003P4EP	S3-01003N4EP	-	-	S3-01003P3EP	S3-01003N3EP	-	-
	125	S3-01253P4EP	S3-01253N4EP	-	-	S3-01253P3EP	S3-01253N3EP	-	-

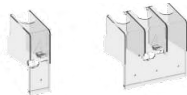
### ▶ ALUMINIUM ENCLOSURE (EA)



					
		3P	3P+N	3P	3P+N
Size	Amp	Code	Code	Code	Code
000	16	S3-00163P4EA	S3-00163N4EA	S3-00163P3EA	S3-00163N3EA
	20	S3-00203P4EA	S3-00203N4EA	S3-00203P3EA	S3-00203N3EA
	25	S3-00253P4EA	S3-00253N4EA	S3-00253P3EA	S3-00253N3EA
	32	S3-00323P4EA	S3-00323N4EA	S3-00323P3EA	S3-00323N3EA
00	40	S3-00403P4EA	S3-00403N4EA	S3-00403P3EA	S3-00403N3EA
	63	S3-00633P4EA	S3-00633N4EA	S3-00633P3EA	S3-00633N3EA
	80	S3-00803P4EA	S3-00803N4EA	S3-00803P3EA	S3-00803N3EA

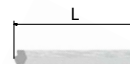


### 01 Terminal shrouds

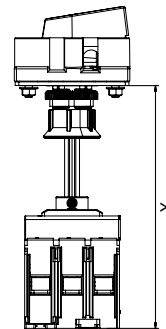


Size	Amp	1P (1 unit)		3P (1 unit)	
		Part Number	Part Number	Part Number	Part Number
000	16A-40A	DS3CUA2	DS3CUA1		
00	63A-100A	DS3CUB2	DS3CUB1		
0	100A-125A	DS3CU02	DS3CU01		

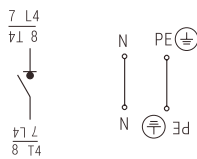
### 02 Shaft options



X min		X max		L		Part Number
mm	inch	mm	inch	mm	inch	
108	4.25	187.2	7.37	135	5.31	Standard shaft
108	4.25	202.2	7.96	150	5.91	DS3EPB1
108	4.25	252.2	9.93	200	7.87	DS3EPB2
108	4.25	372.4	14.66	320	12.60	DS3EPB3



### 03 Side Mount Add-on Pole



Size	Amp	Width (mm)	Simultaneous		Early-make		Fixed neutral		Earth /Ground	
			Front installation	Reverse installation	Front installation	Reverse installation	Front installation	Reverse installation	Front installation	Reverse installation
			DB/DC/EP/EA	PM	DB/DC/EP/EA	PM	DB/DC/EP/EA	PM	DB/DC/EP/EA	PM
Part Number	Part Number	Part Number	Part Number	Part Number	Part Number	Part Number	Part Number	Part Number	Part Number	
000	16A-40A	11	DS3PSAF	DS3PSAR	DS3PDAF	DS3PDAR	DS3PNAF	DS3PNAR	DS3PEAF	DS3PEAR
00	63A-100A	16	DS3PSBF	DS3PSBR	DS3PDBF	DS3PDBR	DS3PNBF	DS3PNBR	DS3PEBF	DS3PEBR
0	100A-125A	21.3	DS3PS0F	DS3PS0R	DS3PD0F	DS3PD0R	DS3PN0F	DS3PN0R	DS3PE0F	DS3PE0R

Maximum capacity:  
 1 pole (Fixed Power/Neutral/Earth) + 3 auxiliary contacts (NO/NC)  
 2 poles (Fixed Power/Neutral/Earth) + 1 auxiliary contact (NO/NC)

### 04 Add-on Auxiliary Contacts

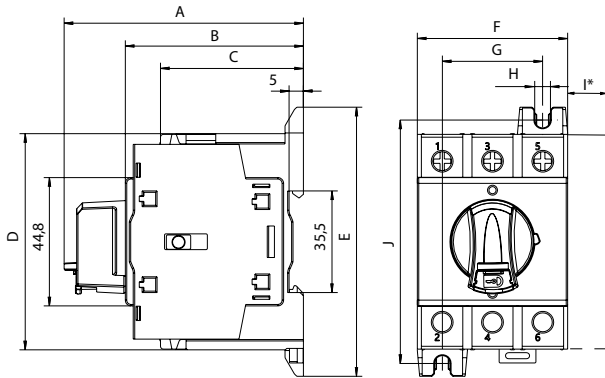


Width		1NO+1NC		2NO	
		DB/DC/EP/EA	PM	DB/DC/EP/EA	PM
mm	inch	Part Number	Part Number	Part Number	Part Number
9	0.35	DS3AUP1	DS3AUP1R	DS3AUP2	DS3AUP2R

Maximum of 3 auxiliary contacts (NO/NC). See user manual for details.  
 AC electrical characteristics AC-13: 10A, 230 VAC; AC-15: 6A, 230 VAC.

## Dimensions

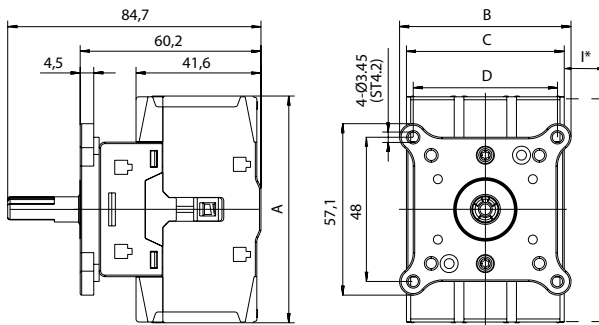
### ► DIN-RAIL MOUNTING (DB)



Size	A	B	C		D	E	F	G	H	I*	J
			3P	4P+N							
16A-40A	83,7	62,5	49,9	51,5	68,5	87	35,5	23,7	5,5	11	78
S3 63A-100A	84	62,5	49,9		75,5	94	52,5	35	5,5	16	85
100A-125A	83,7	62,5	52,2		109,6	130,6	69,1	23,9	5,4	20,9	122

S3 3P - \*3P+N

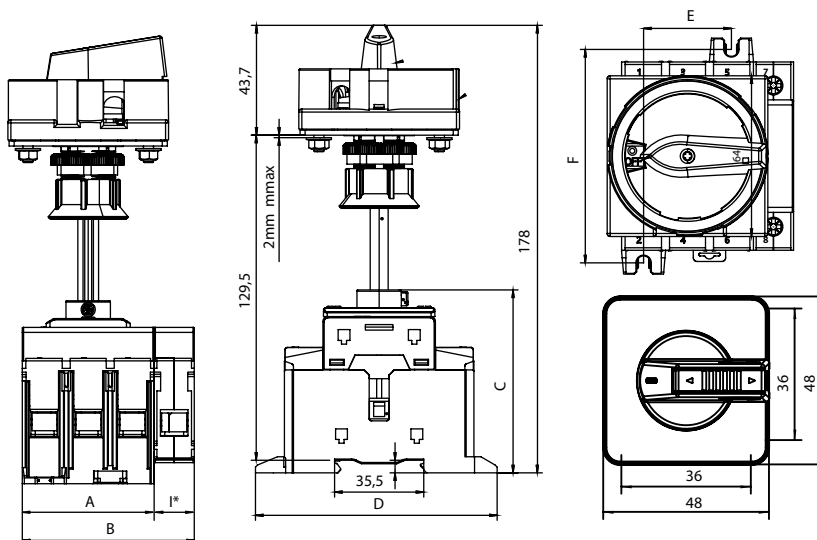
### ► PANEL MOUNTING (PM)



Size	A	B	C	D	I*
S3 63A-100A	75,5	57,1	48	48	16
100A-125A	109,6	57,1	48	48	20,9

S3 3P - \*3P+N

### ► DOOR INTERLOCK (DC)

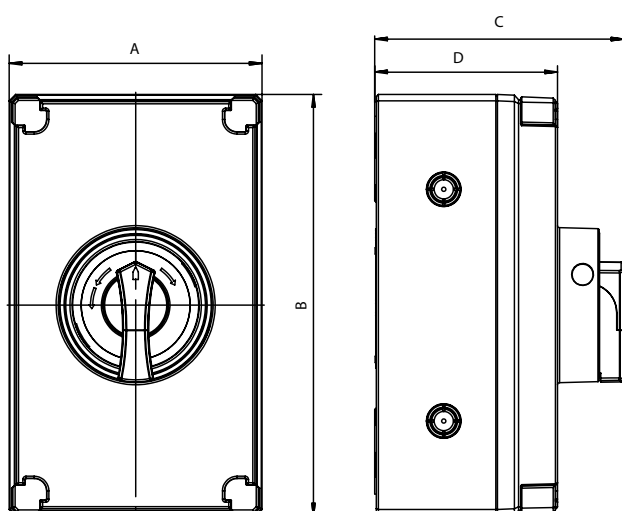


Size	A	B	C	D	E	F	I*
S3 63A-100A	52,5	68,5	72,9	94	35	85	16
100A-125A	69,1	90,4	72,8	109,6	23,9	122	21,3

S3 3P - \*3P+N

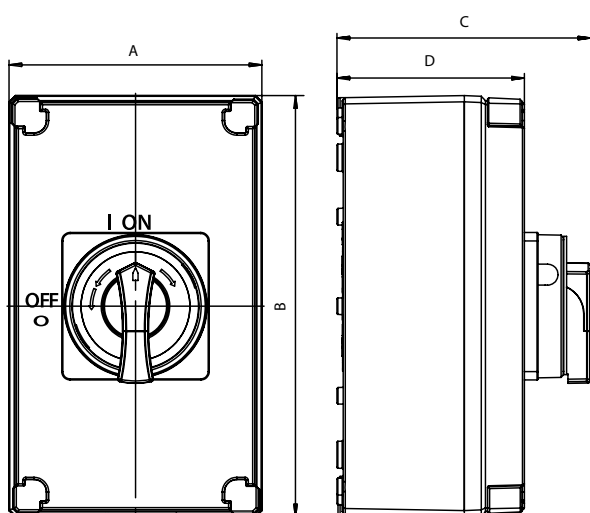
## Dimensions

### ▶ PLASTIC ENCLOSURE (EP)



Size	A		B		C		D	
	3P 4P+N	6P 8P	3P 4P+N	6P 8P	3P 4P+N	6P 8P	3P 4P+N	6P 8P
16A-40A	105	120	150	200	118	134,5	86,8	103,3
S3 63A-100A	120	205	200	320	118	142	86,8	110,8
100A-125A	205		320		142		110,8	

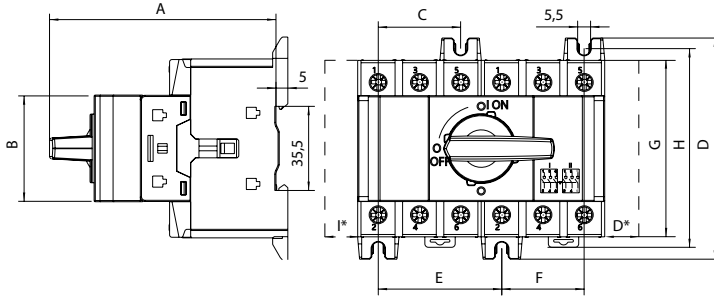
### ▶ ALUMINIUM ENCLOSURE (EA)



Size	A	B	C	D
S3 16A-40A	105	150	120,6	89
63A-80A	120	200	120,6	89

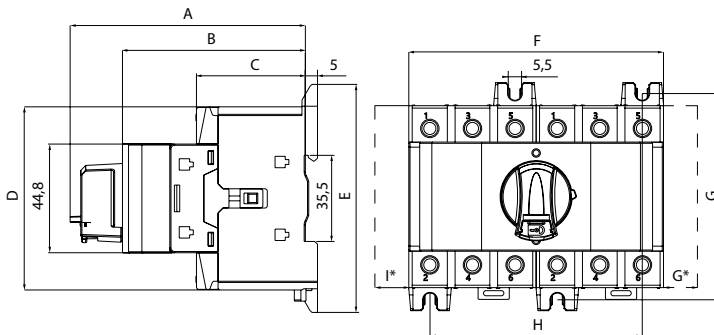
## Dimensions

### ▶ MULTIPOLE AND CHANGEOVER SWITCH



**S3M 6P-\*8P**

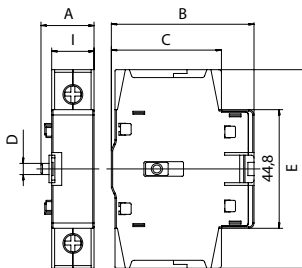
	Size	A	B	C	D	E	F	G	H	I*
S3M	000	98	44,8	27,67	87	35,5	35,5	75,5	78	11
	00	95,6	44,8	35	94	52,5	35	75,5	85	16



**S3S/L 3P-\*3P+N**

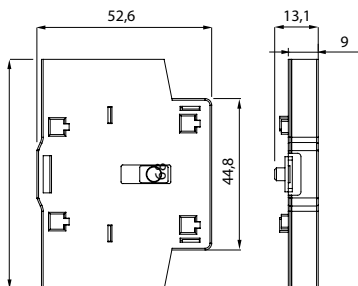
	Size	A	B	C	D	E	F	G	H	I*
S3S	000	98	76,7	50,1	75,5	87	71	87	71	11
S3L	00	97	75,4	44,9	75,5	94	87,5	85	87,5	16

### ▶ AUXILIARY CONTACT



Size	A	B		C		DØ	E	I
		DB DC	PM	DB DC	PM			
S3	000	15,1	53,9	52,6	41,6	4,1	68	11
	00	20	53,9	52,6	41,6	4,2	75	16
	0	25,3	53,9	52,6	43,9	43,86	3,8	109,5

### ▶ ADD ON POLE



**DB / DC & PM MOUNTING**

series

# S3

## AC Compact Switch-Disconnectors



Telergon, SAU  
Ctra. Castellón - Pol. La Cartuja  
50720 La Cartuja Baja  
Zaragoza, Spain



Tel. +34 976 500 876  
info@telergon.com  
www.telergon.com

TDM-S3-IEC-ENG-052026