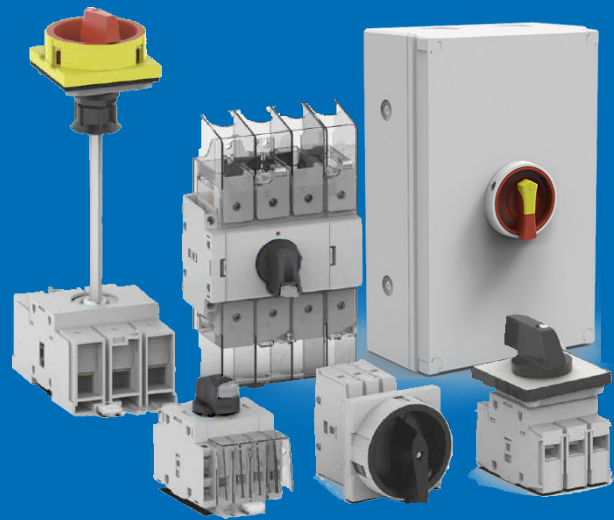
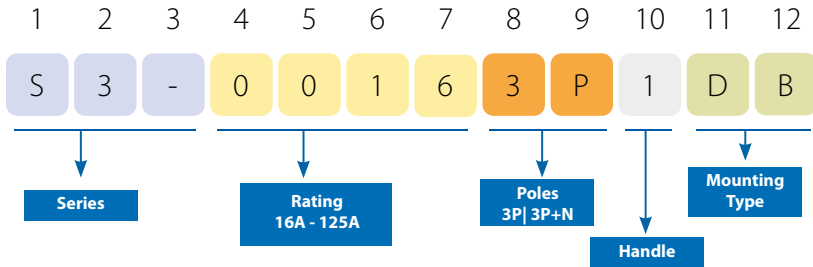


telergon
gorlan



S3 Series
AC Switch-disconnectors

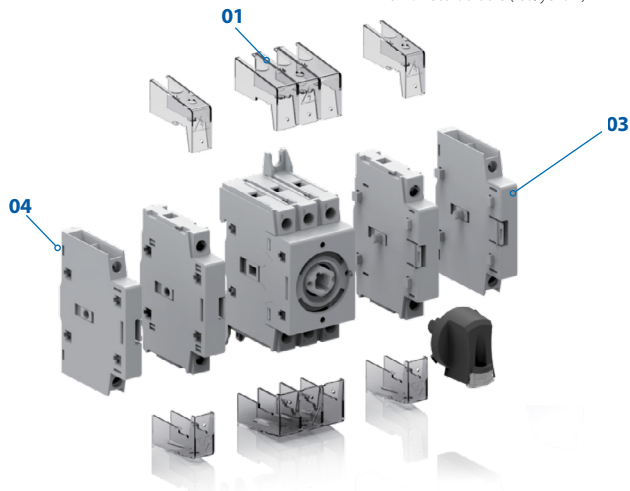
► **CODE**



- 1= Direct lockable (black)
- 2= Panel without lock (black)
- 3= Panel lockable (black)
- 4= Emergency panel lockable (red/yellow)
- 5= Direct lockable (red/yellow)

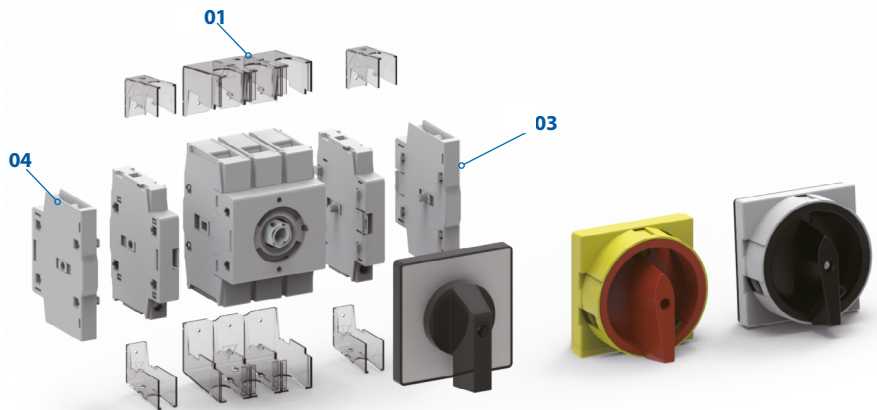
Din-Rail Mounting

D B



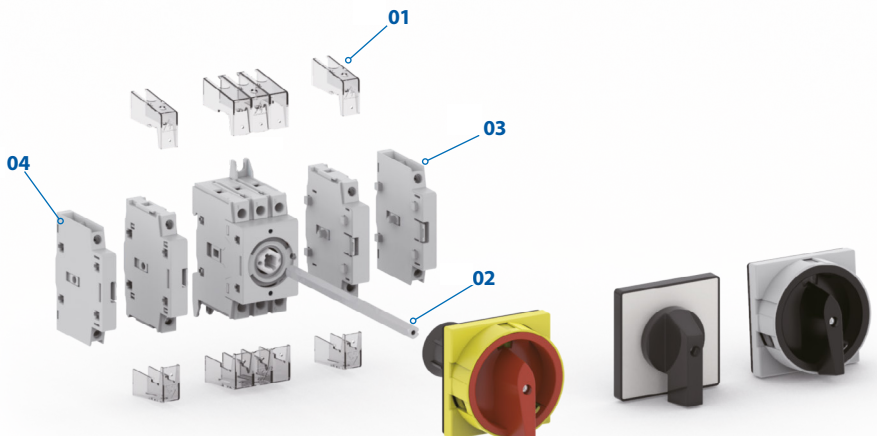
Panel Mounting

P M



Door Interlock

D C





Plastic enclosure (EP)

E P



Aluminium enclosure (EA)

E A



▶ TECHNICAL DATA

IEC 60947-3

			Size								
			000			00			0		
ELECTRICAL DATA											
Thermal current (-25...+55°C)	I _{th}	A	16	20	25	32	40	63	80	100	125
Rated insulation voltage	U _i	Vac	800								
Rated impulse withstand voltage	U _{imp}	kV	8								
AC rated operational current	U _e 415V AC23A	A	16	20	25	32	40	63	80	100	125
AC rated operational power	U _e 415V AC23A	kV	7.5	9	11	15	18.5	30	37	45	55
SHORT CIRCUIT BEHAVIOR (fuse protected)											
Fuse type	415V	A	16	20	25	32	40	63	80	100	125
Rated conditional short-circuit current	415V	kA	10			15			20		
SHORT CIRCUIT PERFORMANCE (unprotected)											
Rated short-time withstand current 1S	I _{cw}	kA (rms)	1.0			1.5			2.5		
Rated short circuit making capacity	I _{cm}	kA (peak)	0.8			1.4			2.1		
CONNECTION CAPACITY											
Cable cross section		mm ²	1.5~10			2.5~35			10~70		
MECHANICAL DATA											
Number of operating cycles	Cycles		100.000								

AC switch-disconnector

DIN-RAIL MOUNTING (DB)



Size	Amp	Plate ∅ (mm)	padlockable		padlockable	
			3P	3P+N*2	3P	3P+N*2
			Code	Code	Code	Code
000*1	16	35.5	S3-00163P1DB	S3-00163N1DB	S3-00163P5DB	S3-00163N5DB
	20	35.5	S3-00203P1DB	S3-00203N1DB	S3-00203P5DB	S3-00203N5DB
	25	35.5	S3-00253P1DB	S3-00253N1DB	S3-00253P5DB	S3-00253N5DB
	32	35.5	S3-00323P1DB	S3-00323N1DB	S3-00323P5DB	S3-00323N5DB
00	40	35.5	S3-00403P1DB	S3-00403N1DB	S3-00403P5DB	S3-00403N5DB
	63	52.5	S3-00633P1DB	S3-00633N1DB	S3-00633P5DB	S3-00633N5DB
0	80	52.5	S3-00803P1DB	S3-00803N1DB	S3-00803P5DB	S3-00803N5DB
	100	69.1	S3-01003P1DB	S3-01003N1DB	S3-01003P5DB	S3-01003N5DB
	125	69.1	S3-01253P1DB	S3-01253N1DB	S3-01253P5DB	S3-01253N5DB

*1 UL on progress

PANEL MOUNTING (PM)



Size	Amp	Plate ∅ (mm)	padlockable (red/yellow)		padlockable (black)		without lock (black)	
			3P	3P+N*2	3P	3P+N*2	3P	3P+N*2
			Code	Code	Code	Code	Code	Code
000	16	35.5	S3-00163P4PM	S3-00163N4PM	S3-00163P3PM	S3-00163N3PM	S3-00163P2PM	S3-00163N2PM
	20	35.5	S3-00203P4PM	S3-00203N4PM	S3-00203P3PM	S3-00203N3PM	S3-00203P2PM	S3-00203N2PM
	25	35.5	S3-00253P4PM	S3-00253N4PM	S3-00253P3PM	S3-00253N3PM	S3-00253P2PM	S3-00253N2PM
	32	35.5	S3-00323P4PM	S3-00323N4PM	S3-00323P3PM	S3-00323N3PM	S3-00323P2PM	S3-00323N2PM
00	40	35.5	S3-00403P4PM	S3-00403N4PM	S3-00403P3PM	S3-00403N3PM	S3-00403P2PM	S3-00403N2PM
	63	52.5	S3-00633P4PM	S3-00633N4PM	S3-00633P3PM	S3-00633N3PM	S3-00633P2PM	S3-00633N2PM
0	80	52.5	S3-00803P4PM	S3-00803N4PM	S3-00803P3PM	S3-00803N3PM	S3-00803P2PM	S3-00803N2PM
	100	69.1	S3-01003P4PM	S3-01003N4PM	S3-01003P3PM	S3-01003N3PM	S3-01003P2PM	S3-01003N2PM
	125	69.1	S3-01253P4PM	S3-01253N4PM	S3-01253P3PM	S3-01253N3PM	S3-01253P2PM	S3-01253N2PM

*2 Neutral is early-make and late-break

AC switch-disconnector

▶ DOOR INTERLOCK (DC)



Size	Amp	Plate ∅ (mm)	 padlockable (red/yellow)		 padlockable (black)		 without lock (black)	
			3P	3P+N*2	3P	3P+N*2	3P	3P+N*2
			Code	Code	Code	Code	Code	Code
000	16	35.5	S3-00163P4DC	S3-00163N4DC	S3-00163P3DC	S3-00163N3DC	S3-00163P2DC	S3-00163N2DC
	20	35.5	S3-00203P4DC	S3-00203N4DC	S3-00203P3DC	S3-00203N3DC	S3-00203P2DC	S3-00203N2DC
	25	35.5	S3-00253P4DC	S3-00253N4DC	S3-00253P3DC	S3-00253N3DC	S3-00253P2DC	S3-00253N2DC
	32	35.5	S3-00323P4DC	S3-00323N4DC	S3-00323P3DC	S3-00323N3DC	S3-00323P2DC	S3-00323N2DC
00	40	35.5	S3-00403P4DC	S3-00403N4DC	S3-00403P3DC	S3-00403N3DC	S3-00403P2DC	S3-00403N2DC
	63	52.5	S3-00633P4DC	S3-00633N4DC	S3-00633P3DC	S3-00633N3DC	S3-00633P2DC	S3-00633N2DC
0	80	52.5	S3-00803P4DC	S3-00803N4DC	S3-00803P3DC	S3-00803N3DC	S3-00803P2DC	S3-00803N2DC
	100	69.1	S3-01003P4DC	S3-01003N4DC	S3-01003P3DC	S3-01003N3DC	S3-01003P2DC	S3-01003N2DC
	125	69.1	S3-01253P4DC	S3-01253N4DC	S3-01253P3DC	S3-01253N3DC	S3-01253P2DC	S3-01253N2DC

▶ MULTIPOLE AND CHANGEOVER SWITCHES



Size	Amp	Plate ∅ (mm)	Din-Rail mounting Multipole switch		Din-Rail mounting changeover switch (I-O-II)		Din-Rail mounting By-pass changeover switch (I-I+II-II)	
			6P	8P	3P	3P+N*2	3P	3P+N*2
			Code	Code	Code	Code	Code	Code
00	63	105	S3M00636P1DB	S3M00638P1DB	S3L00633P1DB	S3L00633N1DB	S3S00633P1DB	S3S00633N1DB
	80	105	S3M00806P1DB	S3M00808P1DB	S3L00803P1DB	S3L00803N1DB	S3S00803P1DB	S3S00803N1DB

Enclosure solutions

▶ PLASTIC ENCLOSURE (EP)



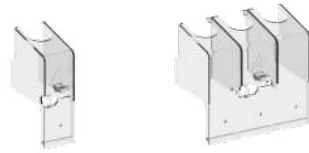
Size	Amp	Emergency handle		Black handle	
		3P	3P+N*2	3P	3P+N*2
		Code	Code	Code	Code
000	16	S3-00163P4EP	S3-00163N4EP	S3-00163P3EP	S3-00163N3EP
	20	S3-00203P4EP	S3-00203N4EP	S3-00203P3EP	S3-00203N3EP
	25	S3-00253P4EP	S3-00253N4EP	S3-00253P3EP	S3-00253N3EP
	32	S3-00323P4EP	S3-00323N4EP	S3-00323P3EP	S3-00323N3EP
00	40	S3-00403P4EP	S3-00403N4EP	S3-00403P3EP	S3-00403N3EP
	63	S3-00633P4EP	S3-00633N4EP	S3-00633P3EP	S3-00633N3EP
	80	S3-00803P4EP	S3-00803N4EP	S3-00803P3EP	S3-00803N3EP
0	100	S3-01003P4EP	S3-01003N4EP	S3-01003P3EP	S3-01003N3EP
	125	S3-01253P4EP	S3-01253N4EP	S3-01253P3EP	S3-01253N3EP

▶ ALUMINIUM ENCLOSURE (EA)



Size	Amp	Emergency handle		Black handle	
		3P	3P+N*2	3P	3P+N*2
		Code	Code	Code	Code
000	16	S3-00163P4EA	S3-00163N4EA	S3-00163P3EA	S3-00163N3EA
	20	S3-00203P4EA	S3-00203N4EA	S3-00203P3EA	S3-00203N3EA
	25	S3-00253P4EA	S3-00253N4EA	S3-00253P3EA	S3-00253N3EA
	32	S3-00323P4EA	S3-00323N4EA	S3-00323P3EA	S3-00323N3EA
00	40	S3-00403P4EA	S3-00403N4EA	S3-00403P3EA	S3-00403N3EA
	63	S3-00633P4EA	S3-00633N4EA	S3-00633P3EA	S3-00633N3EA
	80	S3-00803P4EA	S3-00803N4EA	S3-00803P3EA	S3-00803N3EA

01 Terminal shrouds



Size	Amp.	1P		3P	
		Code	Code	Code	Code
000	16A-40A	DS3CUA2		DS3CUA1	
00	63A-80A	DS3CUB2		DS3CUB1	
0	100A-125A	DS3CU02		DS3CU01	

02 Shaft extension

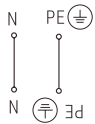


Lenght (mm)	Code
150	DS3EPA1
200	DS3EPA2
320	DS3EPA3

03 Side Mount Add-on Pole



Size	Amp	Width (mm)	Simultaneous		Early-make	
			Front installation	Reverse installation	Front installation	Reverse installation
			DB/DC/EP/EA	PM	DB/DC/EP/EA	PM
000	16A-40A	11	DS3PSAF	DS3PSAR	DS3PDAF	DS3PДАР
00	63A-80A	16	DS3PSBF	DS3PSBR	DS3PDBF	DS3PDBR
0	100A-125A	21.3	DS3PS0F	DS3PS0R	DS3PD0F	DS3PD0R



Size	Amp	Width (mm)	Fixed neutral		Earth /Ground	
			Front installation	Reverse installation	Front installation	Reverse installation
			DB/DC/EP/EA	PM	DB/DC/EP/EA	PM
000	16A-40A	11	DS3PNAF	DS3PNAR	DS3PEAF	DS3PEAR
00	63A-80A	16	DS3PNBF	DS3PNBR	DS3PEBF	DS3PEBR
0	100A-125A	21.3	DS3PN0F	DS3PN0R	DS3PE0F	DS3PE0R

04 Add-on Auxiliary Contacts



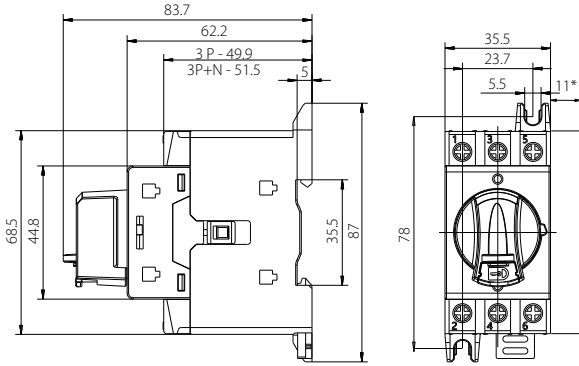
Width (mm)	1NO+1NC		2NO	
	DB/DC/EP/EA	PM	DB/DC/EP/EA	PM
	Code	Code	Code	Code
9	DS3AUP1	DS3AUP1R	DS3AUP2	DS3AUP2R

AC electrical characteristics AC-13: 10A, 230V~ AC-15: 6A,230V~.

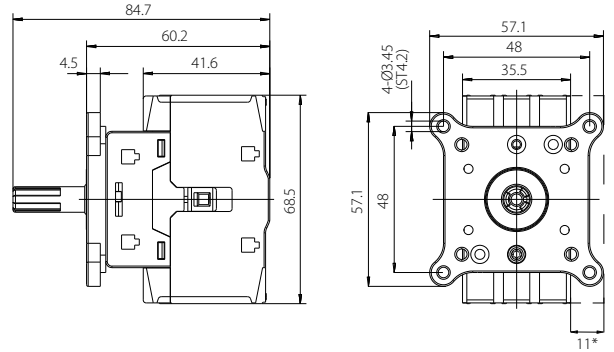
Dimensions

► DIN-RAIL MOUNTING (DB)

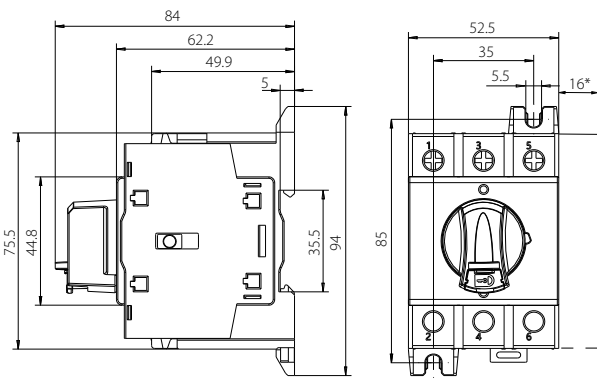
► PANEL MOUNTING (PM)



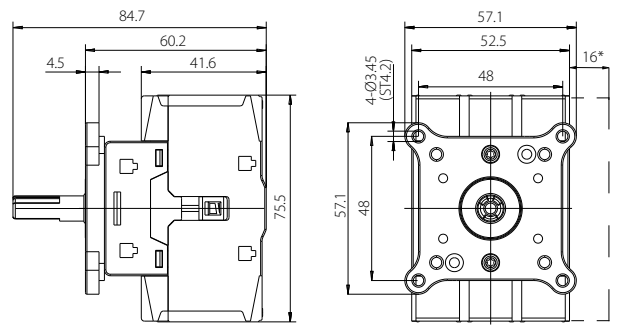
S3/000 3P y *3P+N



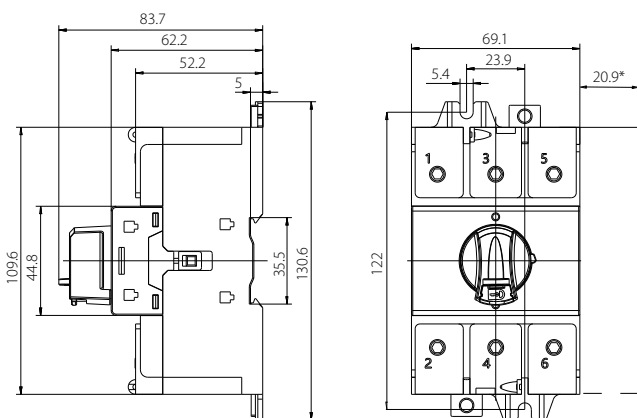
S3/000 3P y *3P+N



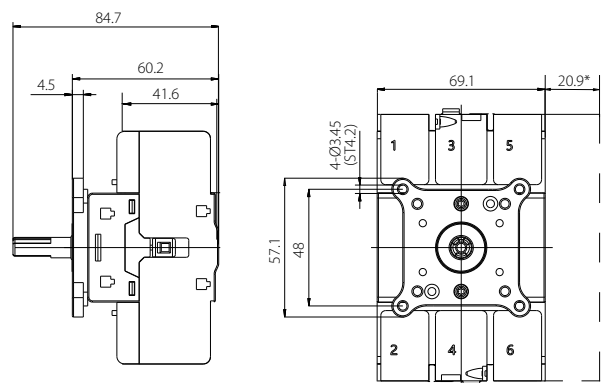
S3/00 3P y *3P+N



S3/00 3P y *3P+N

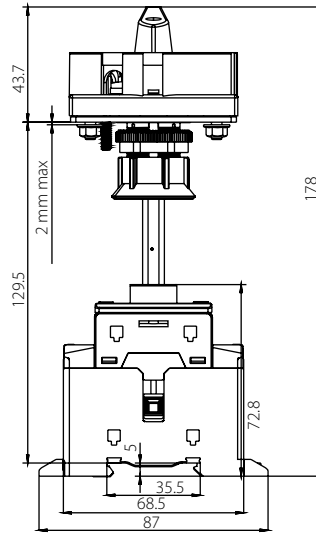
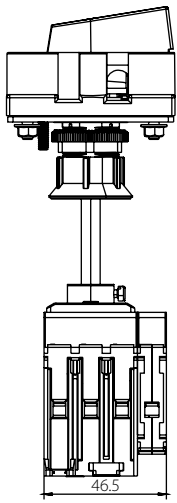


S3/0 3P y *3P+N

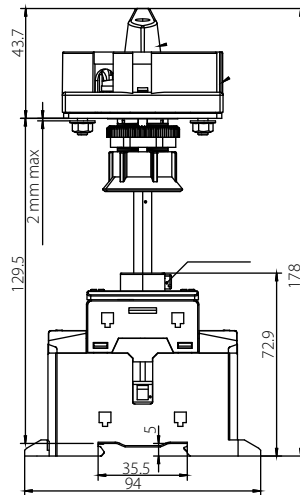
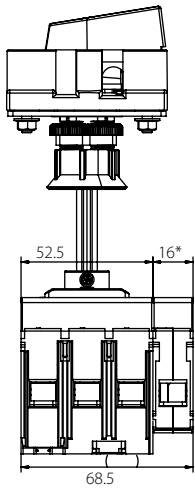
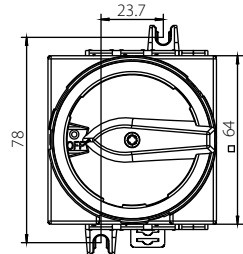


S3/0 3P y *3P+N

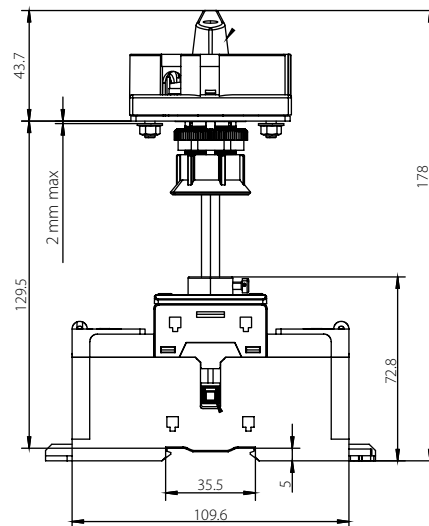
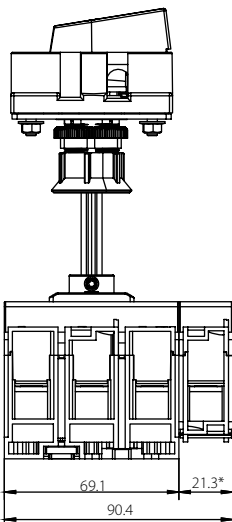
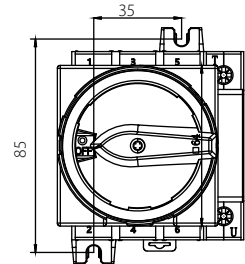
► DOOR INTERLOOK (DC)



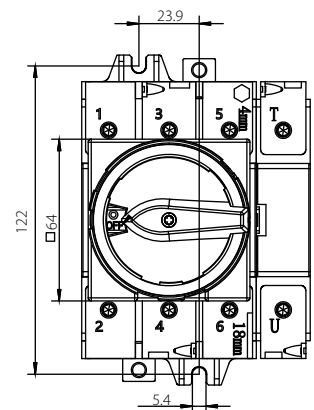
S3/O 3Py*3P+N



S3/O 3Py*3P+N

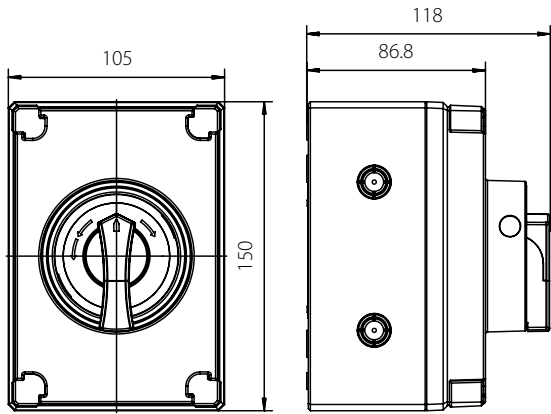


S3/O 3Py*3P+N

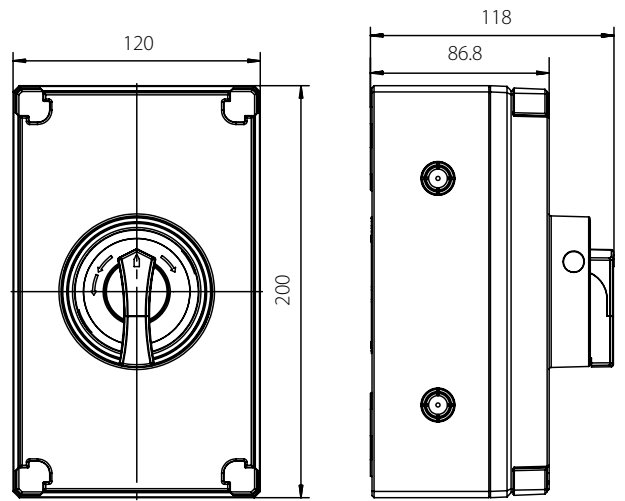


Dimensions

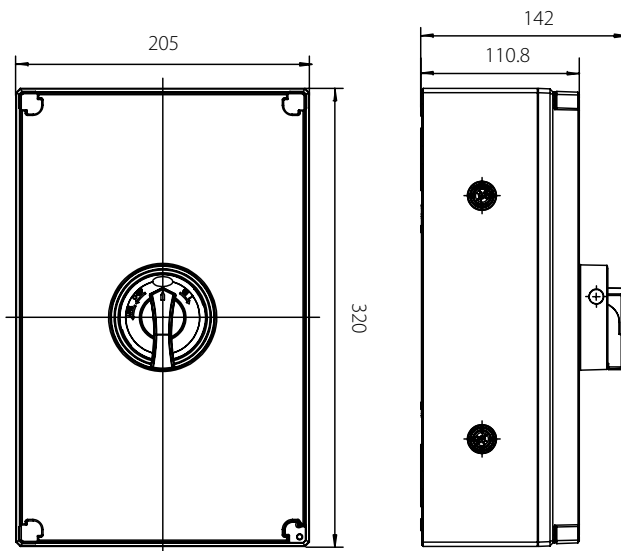
▶ ENCLOSED SOLUTIONS



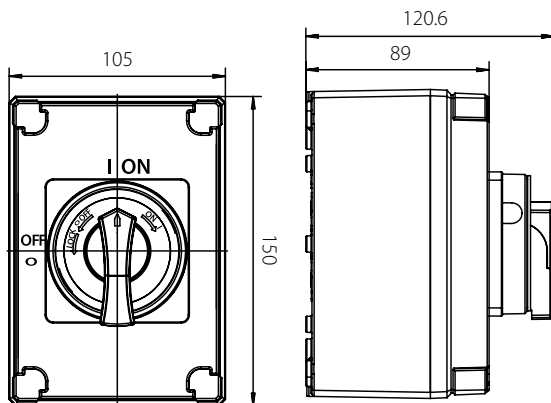
PLASTIC S3/000



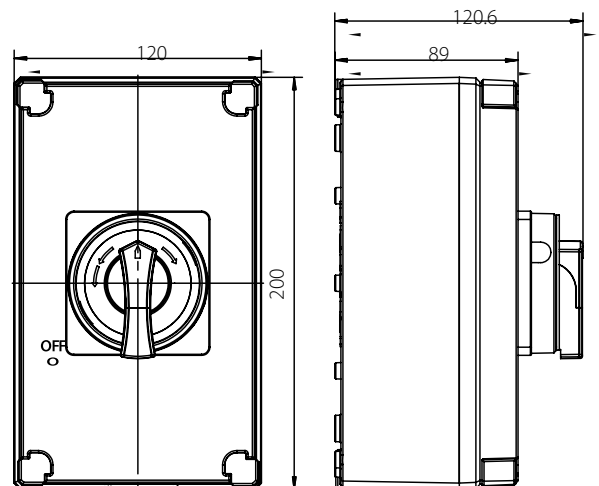
PLASTIC S3/00



PLASTIC S3/0

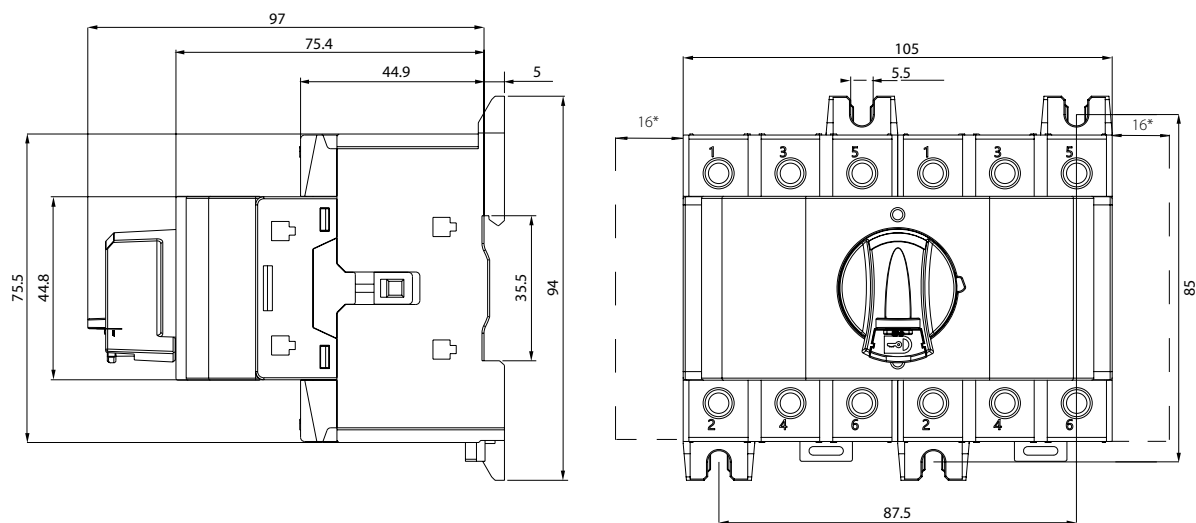


ALUMINIUM S3/000



ALUMINIUM S3/00

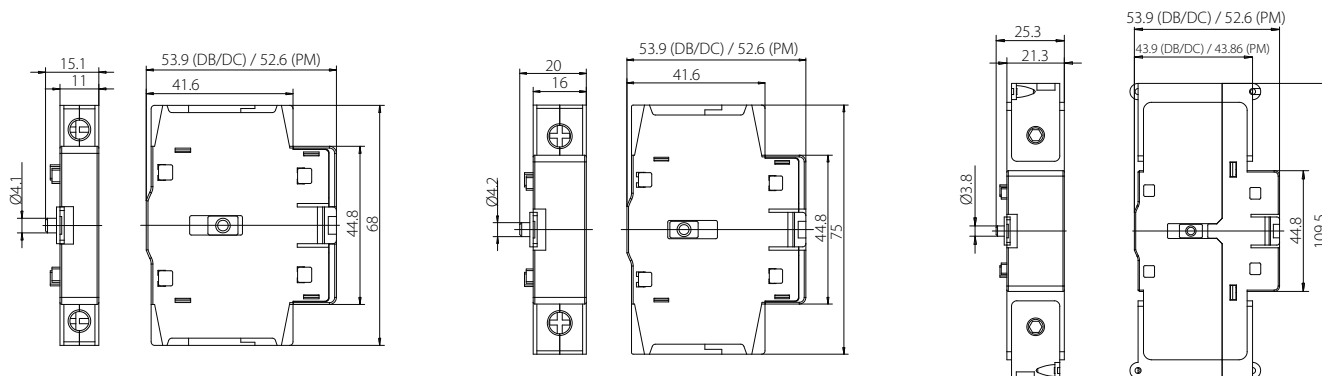
▶ MULTIPOLE AND CHANGEOVER SWITCH



S3M / S3S / S3L SIZE 00

▶ ADD ON POLE

DB / DC & PM MOUNTING

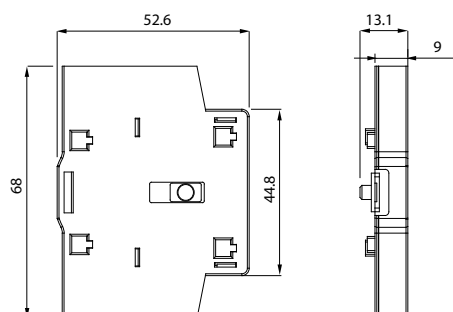


S3/000

S3/00

S3/0

▶ AUXILIARY CONTACT





Telergon, SAU
Ctra. Castellón - Pol. La Cartuja
50720 La Cartuja Baja
Zaragoza, Spain



Tel. +34 976 500 876
info@telergon.com
www.telergon.com

TDM-S3-ENG-052024