



ATS

Automatic Transfer Switch



Automatic Transfer Switch

An automatic transfer switch (ATS) is a self-acting device that automatically transfers a power supply from its primary source to a backup source during a power failure or outage. It monitors the power supply and detects outages or fluctuations, switching to the backup system without manual intervention. The main objective of this solution is to ensure the continuous power for critical systems.



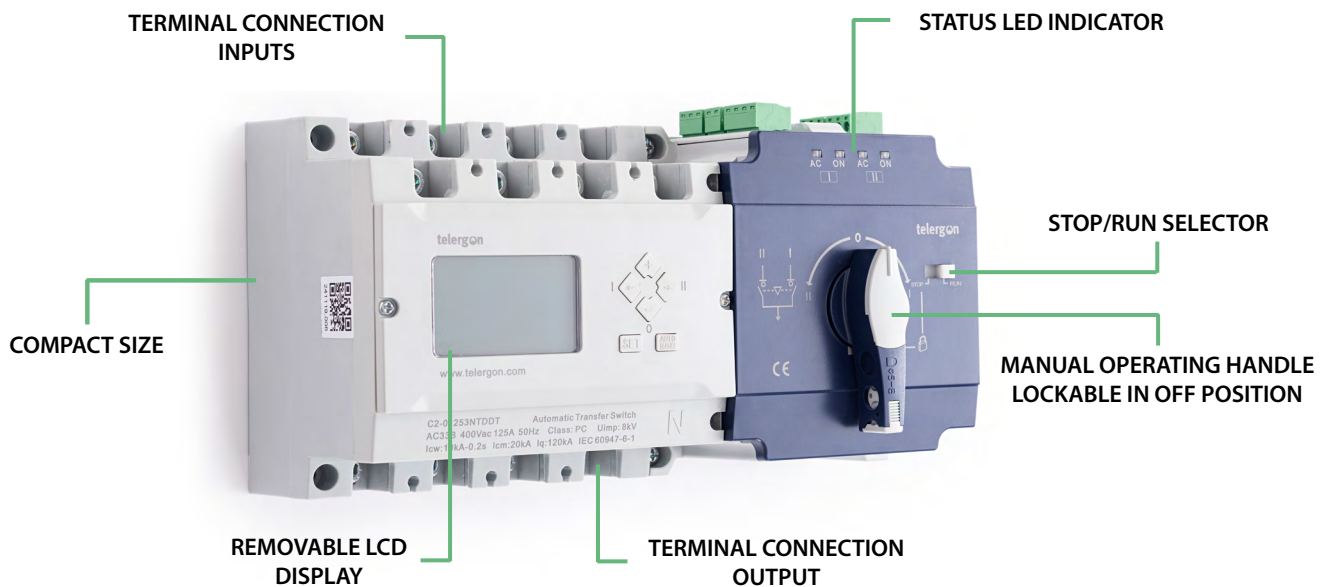
C1 SERIES

63A - 630A



C2 SERIES

63A - 630A



Maintenance free



Easy installation and operation



High short-circuit resistance



Quick make-and-break operation



High electrical and mechanical reliability

Choose your configuration

C1-G Series

Remote operation

- AC-32B
- Easy installation
- Remote control
- Plug & Play



C1-C Series

Automatic transfer

- 3 phase monitor
- Fire-fighting protection
- Generator control
- Auto recovery



C2 Series

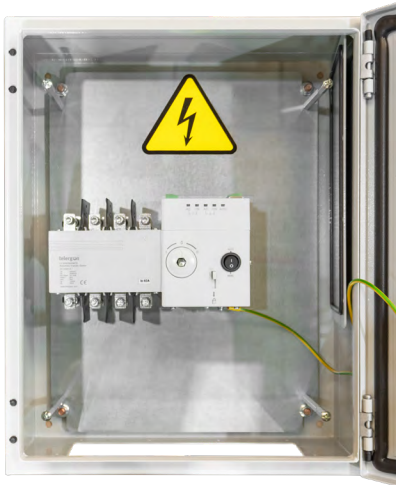
Automatic & programmable

- AC-33B
- LCD display included
- RS485 for remote communication
- Bidirectional transmission



FUNCTIONS	63A - 630A		
	C1-G	C1-C	C2
External 230Vac supply for sources I and II	x		
LED indicator: Source I and II availability, ATS position I or II	x	x	x
Remote control via potential free contacts	x		
Potential free auxiliary contact 1NO for source I and II	x		
Single phase monitoring (phase loss)		x	x
Auto transfer / auto recovery		x	x
Fire-linkage (passive)		x	x
Generator Start/Stop		x	x
Three phase monitoring (voltage protection + frequency protection)		x	x
Source Priority setting		x	x
DC24V aux power input		x	x
LCD display		OPTION	x
RS-485			x
Engine exerciser			x
AC-32B	x	x	
AC-33B			x

Enclosed Transfer Switches



CTRL1 SERIES

63A – 630A

- C1 type C, from 63A to 630A.
- Suitable for environments subject to mechanical risks and dust hazards.
- Protection degree: IP66.
- Colour: RAL 7035.
- Closing plate: Bottom.
- Connection: top (input terminals) and bottom (output terminals)
- Protection: Polycarbonate protection cover.
- Material: 2 mm thick steel.
- Coating: Epoxy resin.
- Mounting: Wall.



CTRL2 SERIES

63A – 630A

- C2 type D, from 63A to 630A.
- Suitable for environments subject to mechanical risks and dust hazards.
- Protection degree: IP66.
- Colour: RAL 7035.
- Closing plate: Bottom.
- Display installed on door with protective cover.
- Connection: $\leq 250A$ top and bottom, $\geq 400A$ bottom (Connection terminals are brought to the bottom of the enclosure via copper connection plates).
- Protection: 63-80Amp flange connection
100-250Amp shrouds.
400-630Amp polycarbonate protection plate.
- Inputs, outputs and auxiliary contacts pre-wired to terminals mounted on DIN rail.
- Material: 2 mm thick steel.
- Coating: Epoxy resin.
- Mounting: Wall.

► TECHNICAL DATA

According to IEC 60947-6-1		00				0	1	2	
C1 SERIES		63	80	100	125	160	250	400	630
Thermal current (I _{th})	A	63	80	100	125	160	250	400	630
Rated insulation voltage (U _i)	V	690							
Rated impulse withstand voltage (U _{imp})	kV	8							
Rated operational current (I _e)									
AC-31B 415V	A	63	80	100	125	160	250	400	630
AC-32B 415V									
Rated short-circuit making capacity (peak value) (I _{cm})	kA	8				17	17	26	
Rated conditional short-circuit current (I _{cc})	kA	120							
Rated control voltage		230V / 50Hz							
Operating transfer time	s	1,7				2,3	3,1	2,1	
Contact transfer time	s	0,7				1	1,2	0,8	
TSE Class		PC class AC-32B							
Operation cycles	cycles	6.000				6.000	6.000	4.000	3.000
Maximum weight	kg	3,8				8,5	11,5	22,6	
Tightening torque	Size	M6				M8	M10	M12	
	Nm	3				6	10	14	
Connection capacity. Cu cable.	mm ²	50				70	120	240	2x240

According to IEC 60947-6-1		00		0		1		2	
C2 SERIES		63	80	100	125	160	250	400	630
Thermal current (I _{th})	A	63	80	100	125	160	250	400	630
Rated insulation voltage (U _i)	V	690							
Rated impulse withstand voltage (U _{imp})	kV	8							
Rated operational current (I _e)									
AC-31B 415V	A	63	80	100	125	160	250	400	630
AC-32B 415V									
AC-33B 415V									
Rated short-circuit making capacity (peak value) (I _{cm})	kA	15		20		30		50	
Rated short-time withstand current 0,2s (I _{cw})	kA	10* ¹		10		10		25	
Rated conditional short-circuit current (I _{cc})	kA	120							
Rated control voltage * ²		230V / 50Hz							
Operating transfer time	s	1,2		1,25		2,1		3,3	
Contact transfer time	s	0,6		0,6		1		1,5	
ATSE Class		PC Class AC-33B							
Operation cycles	cycles	6.000		6.000		6.000		4.000	3.000
Maximum weight	kg	2,5		4,3		9		22,5	
Tightening torque	Size	M5	M5	M6	M6	M8	M8	M10	M10
	Nm	2	2	3	3	6	6	10	10
Connection capacity. Cu cable.	mm ²	25	25	50	50	120	120	240	2x185
Connection capacity. Cu Bar	mm ²	-	-	4x20	4x20	5x25	5x25	10x40	10x40

*¹ 30ms*² For other voltages, please consult.

► C1 SERIES AUTOMATIC TRANSFER SWITCH | 1P+N, 3P & 3P+N | 63A-630A



Size	Amp	Type	Poles	Connection	Switch	Shrouds	Display *1	Display cover IP67
00	63	G	3P		C1-00633PSMGB	DC1CUB1		
			3P+N		C1-00633NSMGB			
		C	1P+N*2		C1-00631NSMCB			
			3P		C1-00633PSMCB			
			3P+N		C1-00633NSMCB			
			80	G	3P			
	3P+N				C1-00803NSMGB			
	C	1P+N*2		C1-00801NSMCB				
		3P		C1-00803PSMCB				
		3P+N		C1-00803NSMCB				
		100	G	3P				
	3P+N				C1-01003NSMGB			
C	3P			C1-01003PSMCB				
	3P+N			C1-01003NSMCB				
125	G	3P		C1-01253PSMGB	DC1DP01	DC1VD01		
		3P+N		C1-01253NSMGB				
	C	3P		C1-01253PSMCB				
		3P+N		C1-01253NSMCB				
0	160	G	3P				C1-01603PSMGB	DC1CU01
			3P+N				C1-01603NSMGB	
		C	3P				C1-01603PSMCB	
			3P+N				C1-01603NSMCB	
1	250	G	3P				C1-02503PSMGB	DC1CU11
			3P+N				C1-02503NSMGB	
		C	3P				C1-02503PSMCB	
			3P+N				C1-02503NSMCB	
2	400	G	3P		C1-04003PSMGB	DC1CU21		
			3P+N		C1-04003NSMGB			
		C	3P		C1-04003PSMCB			
			3P+N		C1-04003NSMCB			
	630	G	3P		C1-06303PSMGB			
			3P+N		C1-06303NSMGB			
		C	3P		C1-06303PSMCB			
			3P+N		C1-06303NSMCB			

*1 Display available only for type C. Cat 5E Ethernet cable with RJ45 connectors included with the display.

*2 Single-phase version. For more amperages, consult.

► C2 SERIES AUTOMATIC TRANSFER SWITCH | 1P+N, 3P & 3P+N | 63A-630A

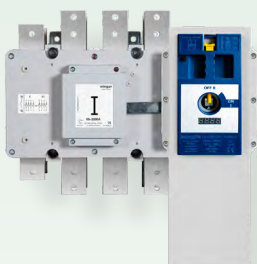


Size	Amp	Poles	Connection	Switch	Extension bars	Shrouds	Display *3	Display cover IP67
00	63	1P+N*2		C2-00631NBDDT	-	-		
		3P		C2-00633PBDDT				
		3P+N		C2-00633NBDDT				
	80	1P+N*2		C2-00801NBDDT				
		3P		C2-00803PBDDT				
		3P+N		C2-00803NBDDT				
0	100	1P+N*2		C2-01251NTDDT	DC2EB01	DC2CU01	DC1DP01	DC1VD01
		3P		C2-01003PTDDT				
		3P+N		C2-01003NTDDT				
	125	1P+N*2		C2-01251NTDDT				
		3P		C2-01253PTDDT				
		3P+N		C2-01253NTDDT				
1	160	3P		C2-01603PTDDT	DC2EB11	DC2CU11		
		3P+N		C2-01603NTDDT				
	250	3P		C2-02503PTDDT				
		3P+N		C2-02503NTDDT				
2	400	3P		C2-04003PTDDT	DC2EB21	DC2CU21		
		3P+N		C2-04003NTDDT				
	630	3P		C2-06303PTDDT				
		3P+N		C2-06303NTDDT				

*2 Single-phase version. For more amperages, consult.

*3 Cat 5E Ethernet cable with RJ45 connectors included with the display.

S5F Series



OTHER MOTORIZED SOLUTIONS

125A-3150A

3P & 3P+N

120Vac & 230Vac

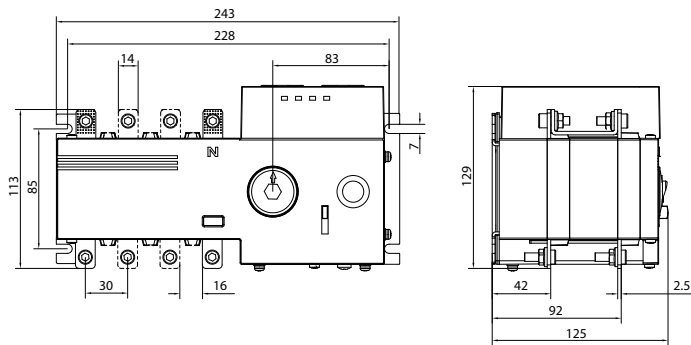
Modbus available

CCF Series



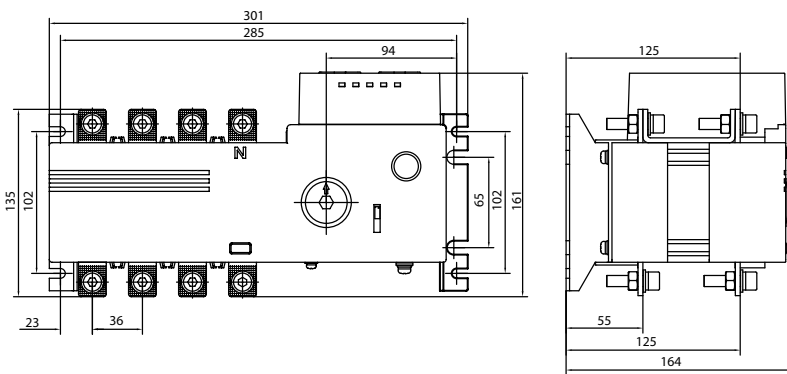
► C1 SERIES | DIMENSIONS

Size 00 (63A-80A-100A-125A)

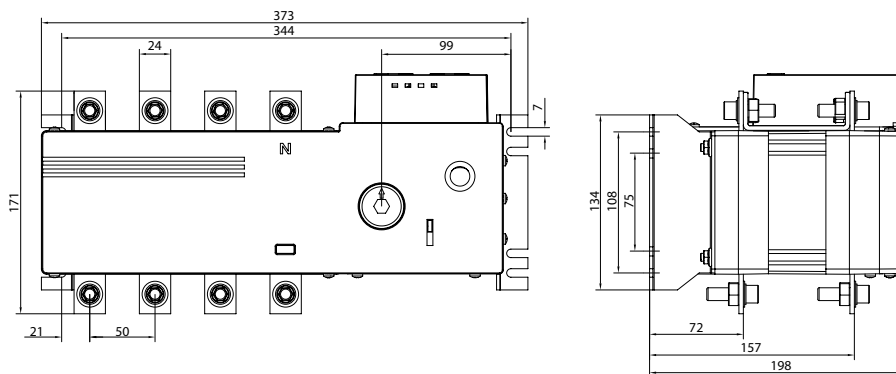


In the single-phase version, only terminals L1 and N are included.

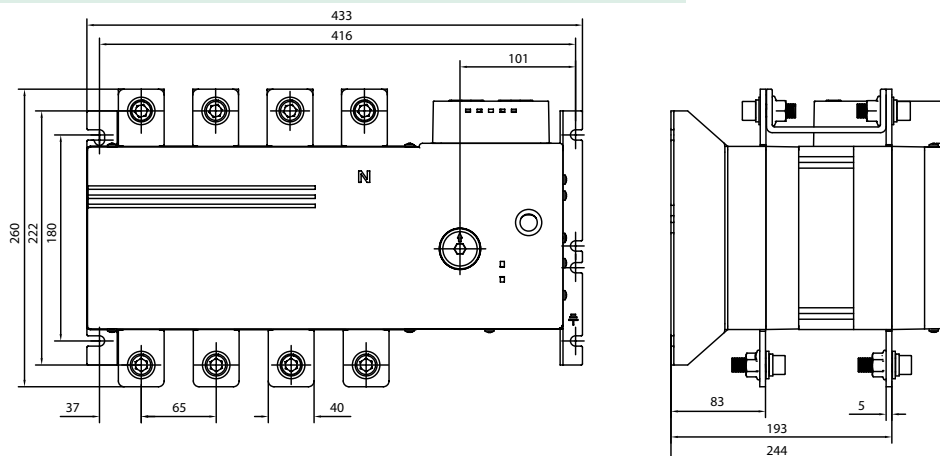
Size 0 (160A)



Size 1 (250A)

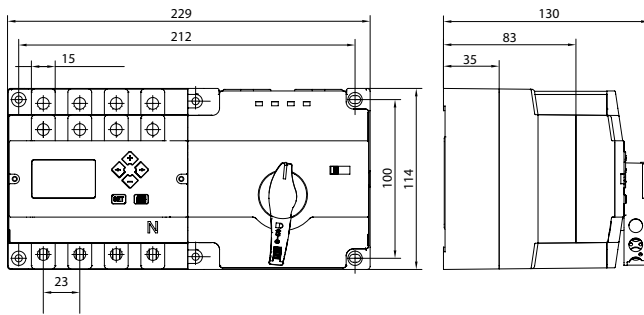


Size 2 (400A-630A)



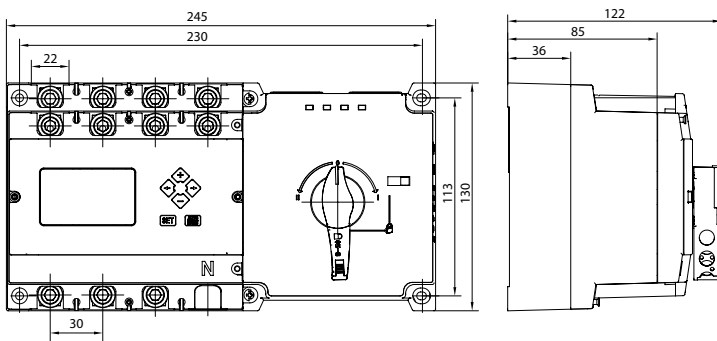
► C2 SERIES | DIMENSIONS

Size 00 (63A-80A)



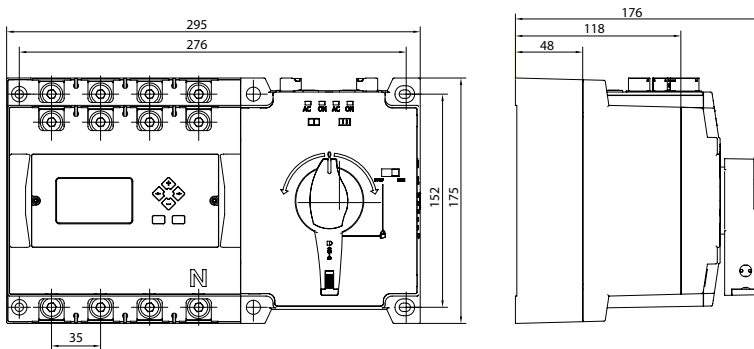
In the single-phase version, only terminals L1 and N are included.

Size 0 (100A-125A)

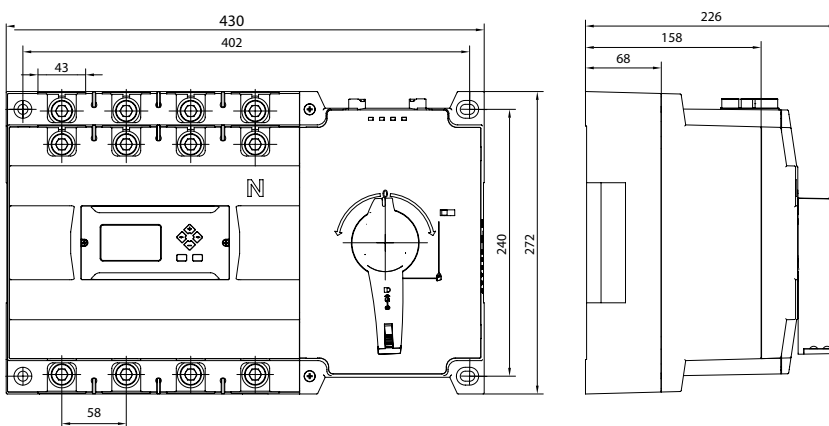


In the single-phase version, only terminals L1 and N are included.

Size 1 (160A-250A)



Size 2 (400A-630 A)



► CTRL1 SERIES ENCLOSED SOLUTIONS | 1P+N, 3P & 3P+N | 63A-630A

IP66



Size	Amp	Material	Poles	Connection	Code	Display * ³	Display cover IP66
00	63	Metal	1P+N* ²		CTRL1C00631NSBM	DC1DP01	DC1VD01
		Metal	3P+N		CTRL1C00633NSBM		
		Polyester	1P+N* ²		CTRL1P00801NSBM		
		Polyester	3P+N		CTRL1P00633NSBM		
	80	Metal	1P+N* ²		CTRL1C00803NSBM		
		Metal	3P+N		CTRL2C00803NBBN		
		Polyester	1P+N* ²		CTRL1P00801NSBM		
		Polyester	3P+N		CTRL1P00803NSBM		
0	100	Metal	3P+N		CTRL1C01003NSBM		
		Polyester	3P+N		CTRL1P01003NSBM		
	125	Metal	3P+N		CTRL1C01253NSBM		
		Polyester	3P+N		CTRL1P01253NSBM		
1	160	Metal	3P+N		CTRL1C01603NSBM		
		Polyester	3P+N		CTRL1P01603NSBM		
	250	Metal	3P+N		CTRL1C02503NSBM		
		Polyester	3P+N		CTRL1P02503NSBM		
2	400	Metal	3P+N		CTRL1C04003NSBM		
	630	Metal	3P+N		CTRL1C06303NSBM		

*² Single-phase version. For more amperages, consult.

*³ Cat 5E Ethernet cable with RJ45 connectors included with the display.

► CTRL2 SERIES ENCLOSED SOLUTIONS | 1P+N, 3P & 3P+N | 63A-630A

IP66



Size	Amp	Material	Poles	Connection	Code
00	63	Metal	1P+N*2		CTRL2C00631NBBN
		Metal	3P+N		CTRL2C00633NBBN
		Polyester	1P+N*2		CTRL2P00801NBBN
		Polyester	3P+N		CTRL2P00633NBBN
	80	Metal	1P+N*2		CTRL2C00801NBBN
		Metal	3P+N		CTRL2C00803NBBN
		Polyester	1P+N*2		CTRL2P00801NBBN
		Polyester	3P+N		CTRL2P00803NBBN
0	100	Metal	3P+N		CTRL2C01003NTBN
		Polyester	3P+N		CTRL2P01003NBBN
	125	Metal	3P+N		CTRL2C01253NTBN
		Polyester	3P+N		CTRL2P01253NBBN
1	160	Metal	3P+N		CTRL2C01603NTBN
		Polyester	3P+N		CTRL2P01603NBBN
	250	Metal	3P+N		CTRL2C02503NTBN
		Polyester	3P+N		CTRL2P02503NBBN
2	400	Metal	3P+N		CTRL2C04003NTBO
	630	Metal	3P+N		CTRL2C06303NTBO

*2 Single-phase version. For more amperages, consult.

*3 Cat 5E Ethernet cable with RJ45 connectors included with the display.

Accessories included in the assembly: shrouds (for sizes 0, 1 and 2), display, and display cover.

CTRCFC - S5F Series



OTHER ENCLOSED SOLUTIONS

125A-2000A

3P & 3P+N

IP65

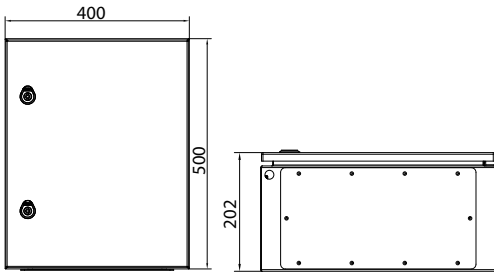
Main - Gen management

CTRCCC - CCF Series

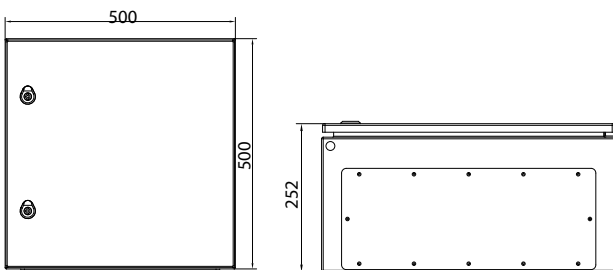


▶ CTRL1 SERIES | DIMENSIONS

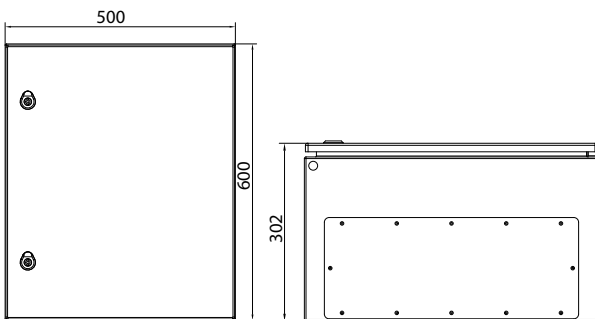
Metal - Size 00 (63A-80A)



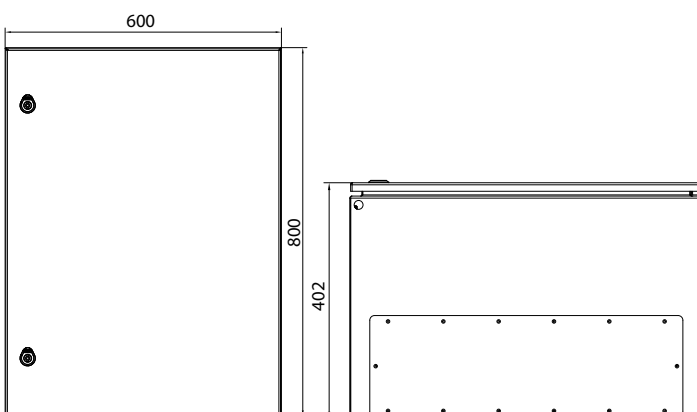
Metal - Size 0 (100A-125A)



Metal - Size 1 (160A-250A)

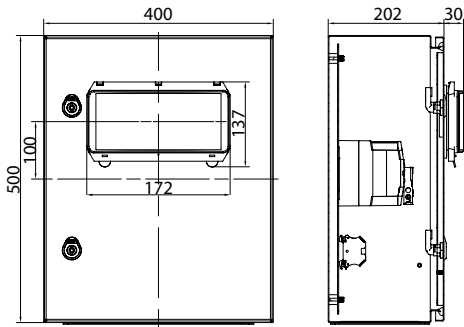


Metal - Size 2 (400A-630A)

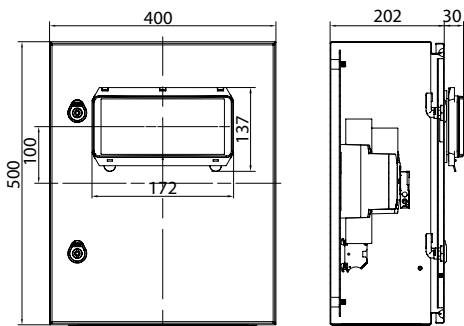


▶ CTRL2 SERIES | DIMENSIONS

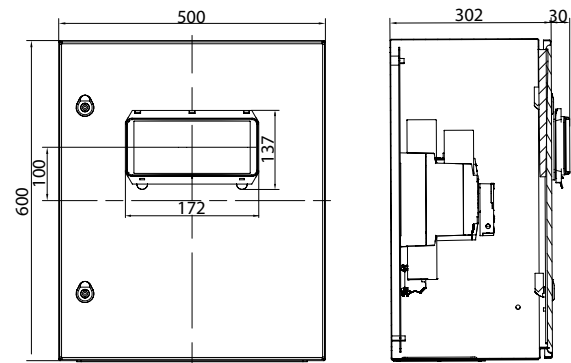
Metal - Size 00 (63A-80A)



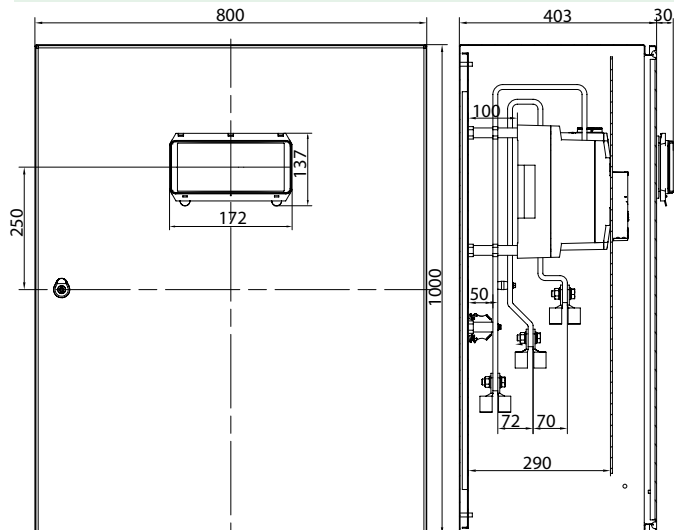
Metal - Size 0 (100A-125A)



Metal - Size 1 (160A-250A)



Metal - Size 2 (400A-630A)





Telergon, SAU
Ctra. Castellón - Pol. La Cartuja
50720 La Cartuja Baja
Zaragoza, Spain



Tel. +34 976 500 876
info@telergon.com
www.telergon.com