

# SERIE S6/4&5

AC Switch specially designed for Utilities and BESS

1

## Reliability and Performance

From 1250 A up to 3150 A in 3P, 3P+N, and 4P. It is ideal for electrical and industrial distribution, guaranteeing safety and high performance in applications such as UPS, MCC, air conditioning, and energy compensation.

2

## Great connection capacity

Terminal up to 80mm wide, fully usable due to its oval holes and 120mm phase spacing.

- **Phase barriers:** optional use
- **Terminal lugs:** up to 4x240 mm<sup>2</sup>
- **Bundling:** 50, 80 mm



3

## Compact size

Compact case adapted to the number of poles, with up to 45% smaller footprint than other models, facilitating installation and improving performance.

4

## Environmentally friendly

It follows eco-design principles, using fewer raw materials and 100% recyclable components to minimize environmental impact.



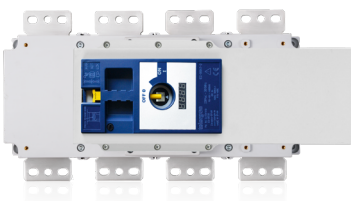
## ▶ PRODUCT RANGE

Amp	Size	3P	3P+N 4A	Manual handle						Shaft extension	
				External		Direct		External emergency		L	Code
		Code	Code	Code	Code	Code	Code				
1250	4	S6-12503PS0	S6-12503NS0	3P	DS-LA45	3P	DS-LI45	DS-LR41	14	485	DS-EP44
1600		S6-16003PS0	S6-16003NS0 S6-16004AS0								
1800		S6-18003PS0	S6-18003NS0 S6-16004AS0	3P+N	DS-LA41	3P+N	DS-LI41			635	DS-EP45
2000	5	S6N20003PS0	S6N20003NS0	DS-LA41	DS-LI41	DS-LR41	-	-	-		
2500		S6N25003PS0	S6N25003NS0								
3150		S6N31503PS0	S6N31503NS0								

## ▶ TECHNICAL INFORMATION

IEC 60947-3		Type	1250 A	1600 A	1800 A	2000 A	2500 A	3150 A
Electrical characteristics	Thermal current	I <sub>th</sub> (-5°C to +40°C)	1250 A	1600 A	1800 A	2000 A	2500 A	3150 A
	Rated insulation voltage	U <sub>i</sub>	1000Vdc					
	Rated impulse withstand voltage	U <sub>imp</sub>	12 kA					
	Rated operational current	I <sub>e</sub> (A)	U <sub>e</sub> 400V	1250 A AC-22B	1600 A AC-22A	1800 A AC-22B	2000 A AC-22A	2500 A AC-22B
Short-circuit behaviour	Rated short-circuit making capacity	I <sub>cm</sub>	kA (peak)	60			60	
	Rated short-time withstand current (1s)	I <sub>cw</sub>	kA rms	50			60	
Connection capacity	Copper bar (thickness / width)	mm	2x80x5	2x6x80	2x9x80	2x10x70	4x6x80	4x10x70
	Rigid cable	mm <sup>2</sup>	800	1000	1500	1500	2000	3000
	Max. permissible plate	mm	80					
	Tightening torque	N·m	45					
Mechanical characteristics	Maximum number of cycles without load (according to regulations)	Cycles	600	3000	600	3000	600	400
	Maximum weigh	3P	Kg	10,5			24,5	
		3P+N		13,5			28,5	

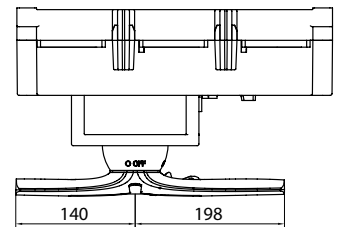
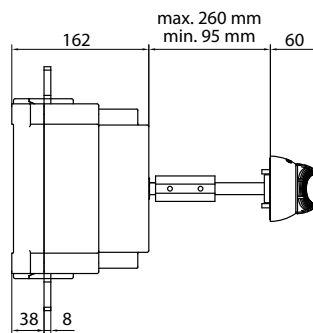
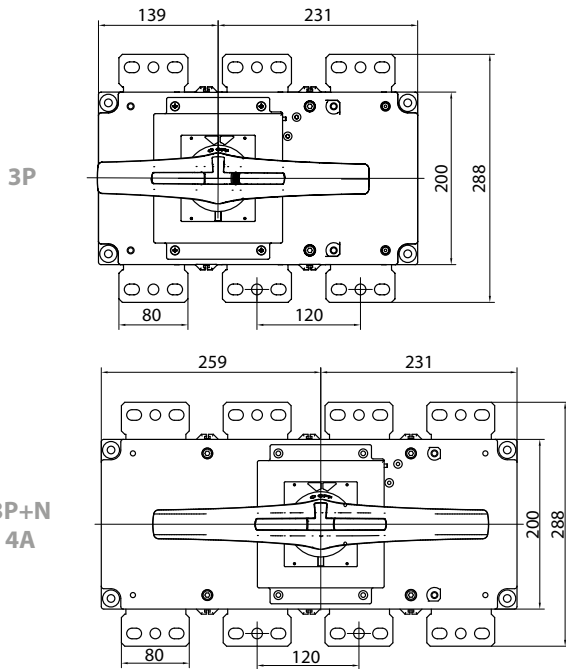
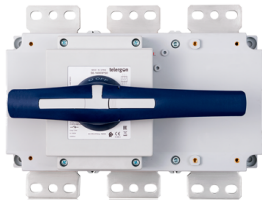
## ▶ MOTORIZED UNIT



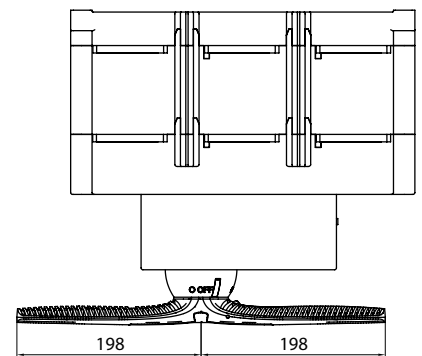
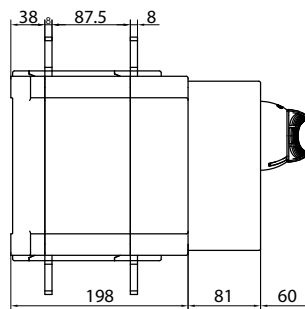
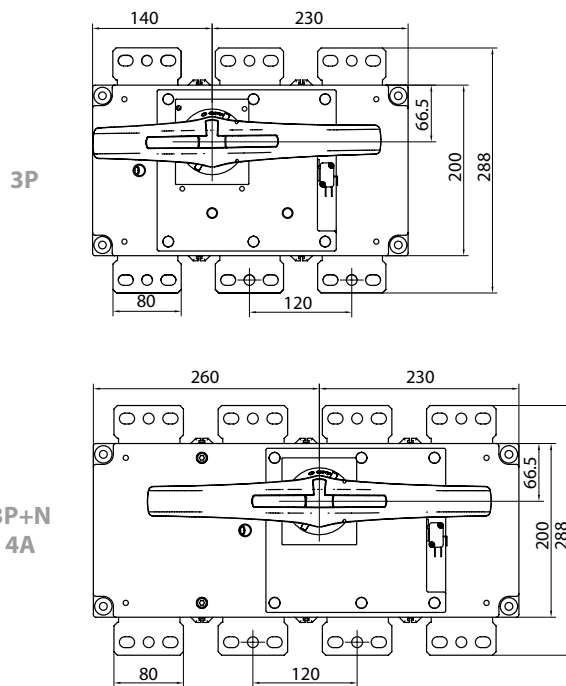
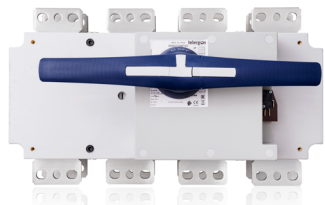
Amp	Size	3P+N	UM-S	
			120Vac	230Vac
		Code	Code	Code
1600	4	S6-16003NSC	UM-S47120M	UM-S47230M
1800		S6-18003NSC		

► DIMENSIONS

**S6/4**  
1250A-1800A



**S6N/5**  
2000A-3150A



# OTHER APPLICATIONS

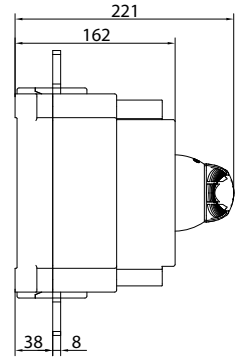
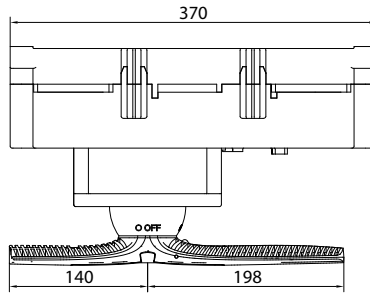
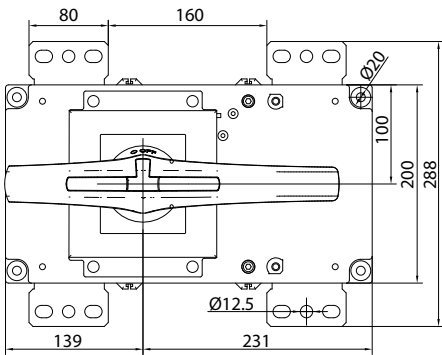
## ▶ ISOLATION ONLY | 1500VDC

DC



Amp	Size	Code	Handle	
			External	Direct
			Code	Code
1600	4	S6-16002PS0P38	DS-LA45	DS-LI45

### DIMENSIONS



## ▶ EARTHING SWITCH



Amp	Size	Code	Manual handle	
			External	
			Code	
1250	4	S6-12503PSEPKO	DS-LA46*1	

\*1 Within code S6-12503PSEPKO, the handle DS-LA46 is included

### DIMENSIONS

